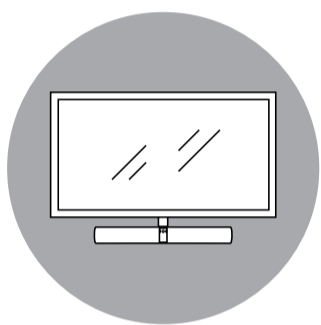


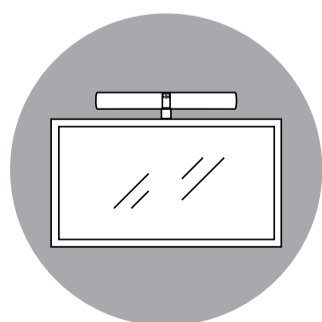
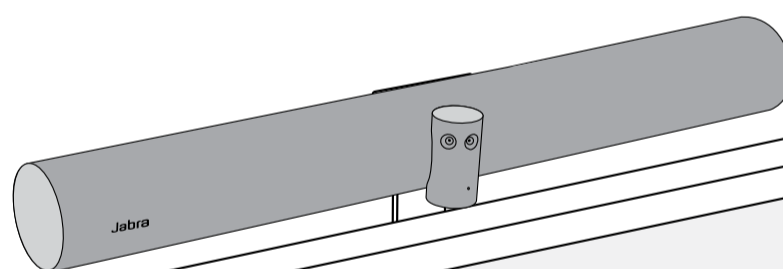
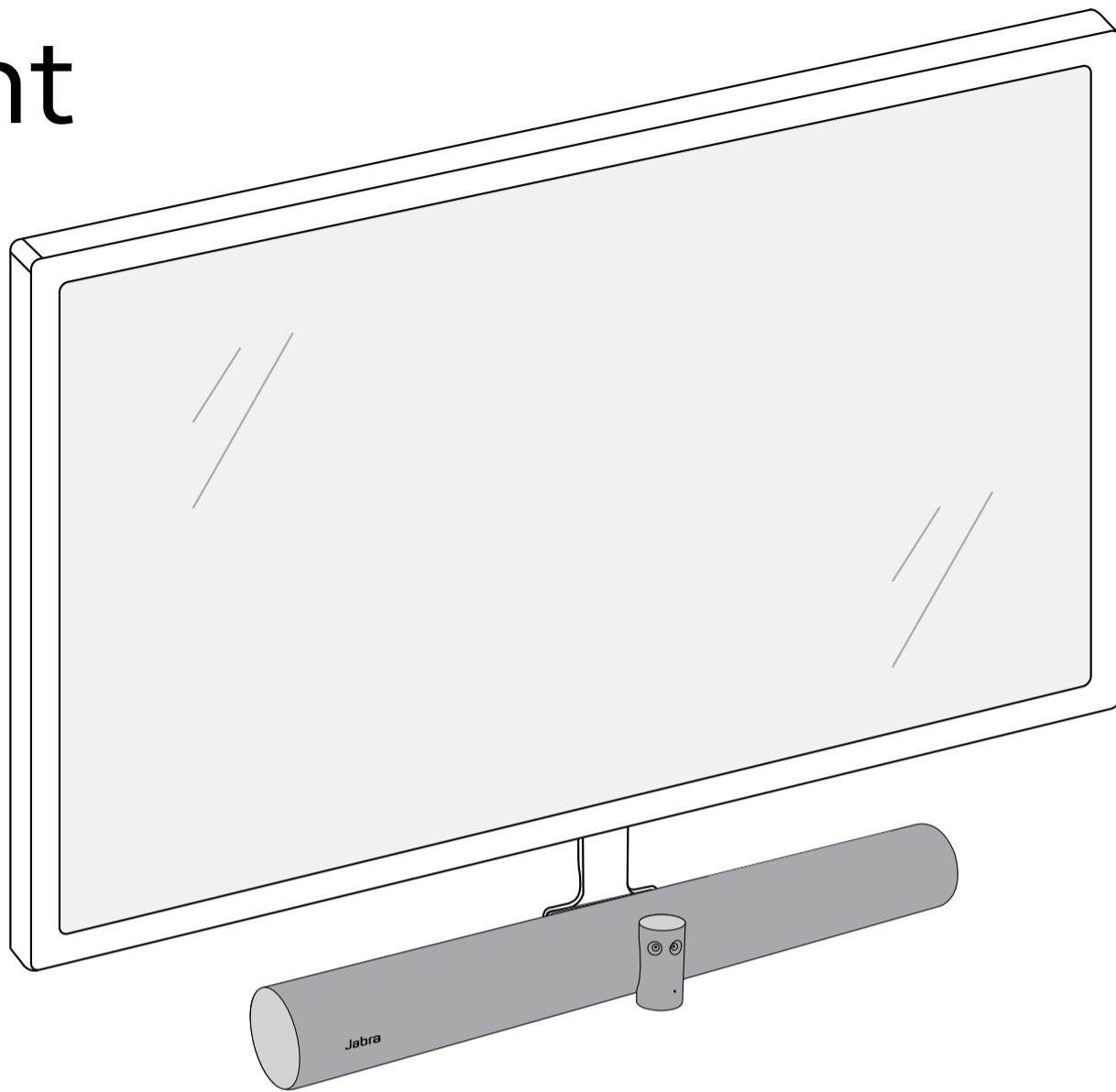
PanaCast 50

Screen Mount



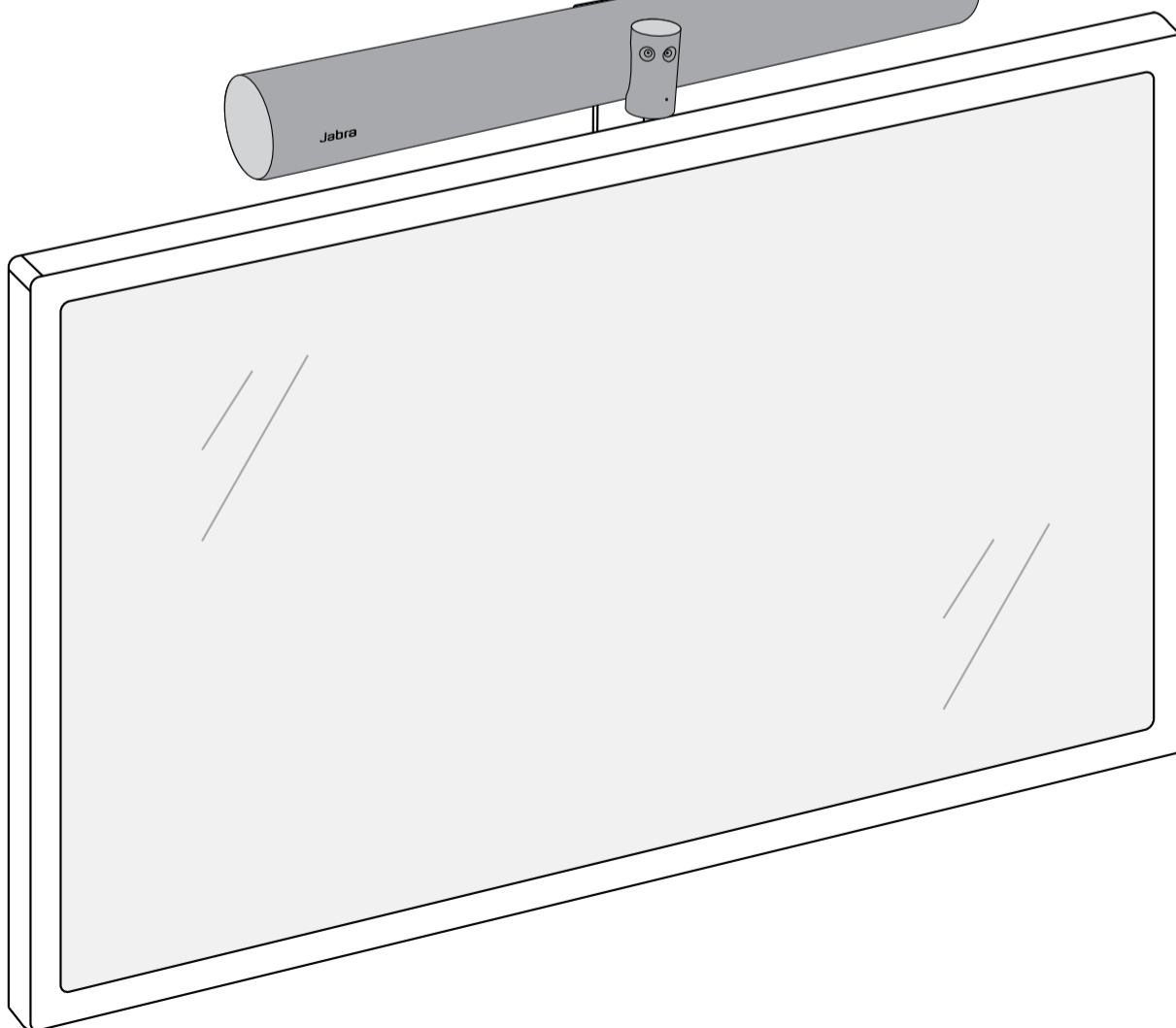
Install below screen

Start from page 1 →

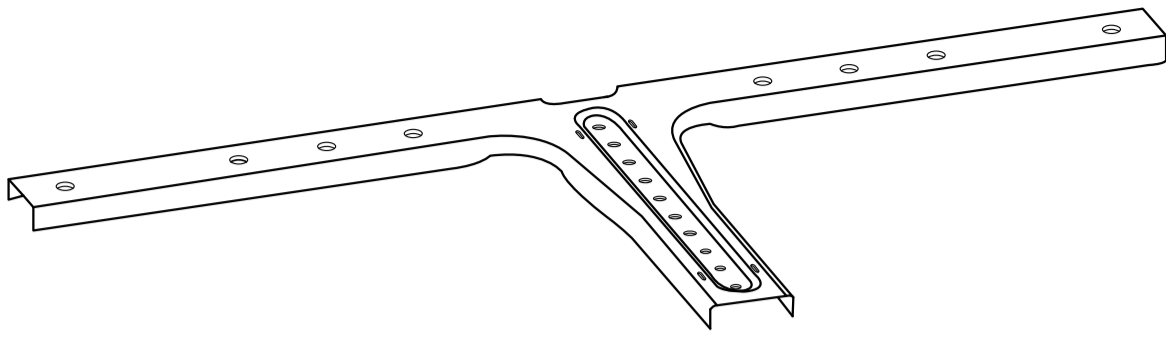


Install above screen

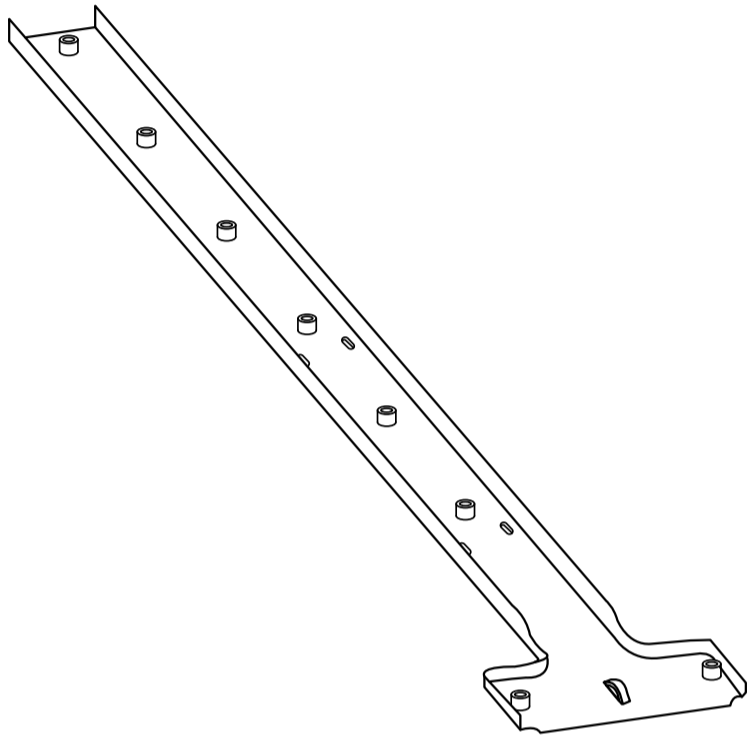
Start from page 7 →



Screen Mount horizontal section



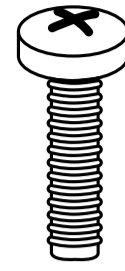
Screen Mount vertical section



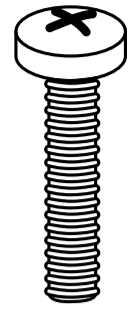
Screws



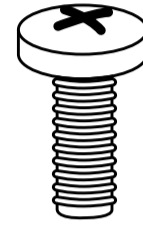
M6x30
(4 pcs)



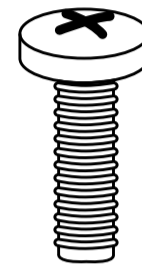
M6x40
(4 pcs)



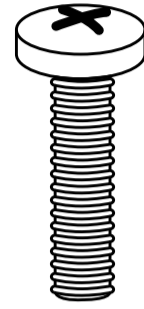
M6x50
(4 pcs)



M8x30
(4 pcs)



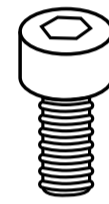
M8x40
(4 pcs)



M8x50
(4 pcs)

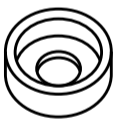


M5x8
(2 pcs)



M5x12
(2 pcs)

Spacers



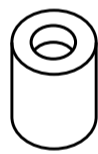
2 mm
(2 pcs)



5 mm
(4 pcs)



12 mm
(2 pcs)



22 mm
(4 pcs)



32 mm
(4 pcs)

Washers



M6
(4 pcs)



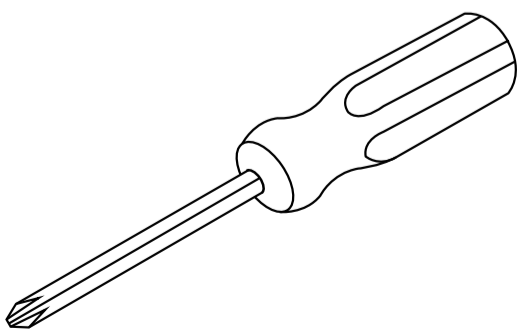
M8
(4 pcs)

Protective pads

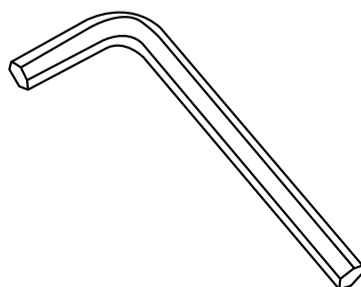


(2 pcs)

Tools needed (not supplied in the pack)



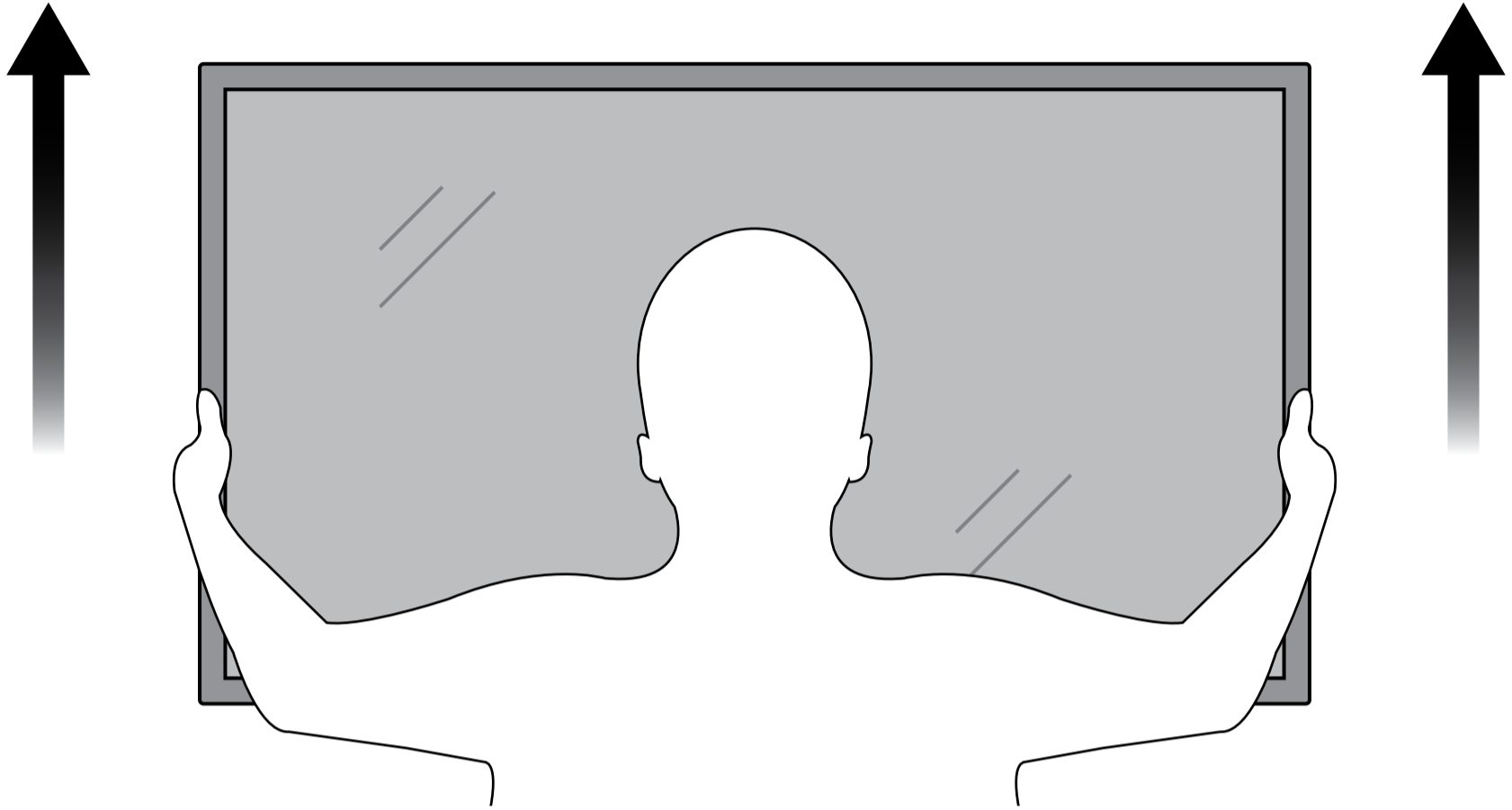
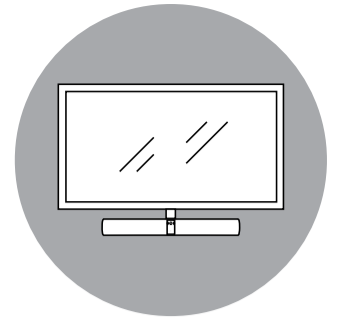
Phillips head screwdriver



4 mm hex key

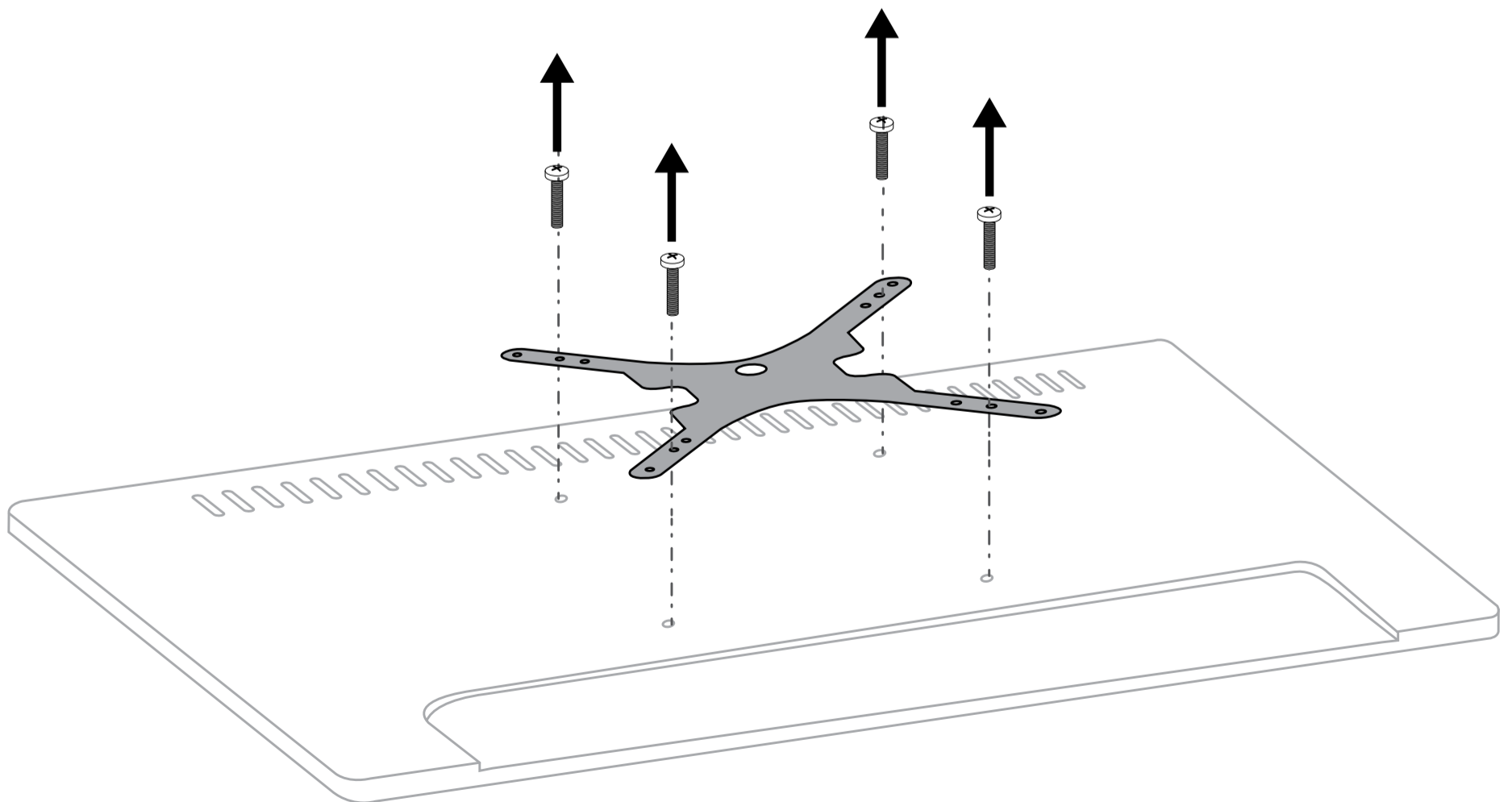
1

If the screen is already wall-mounted, remove it from the wall.



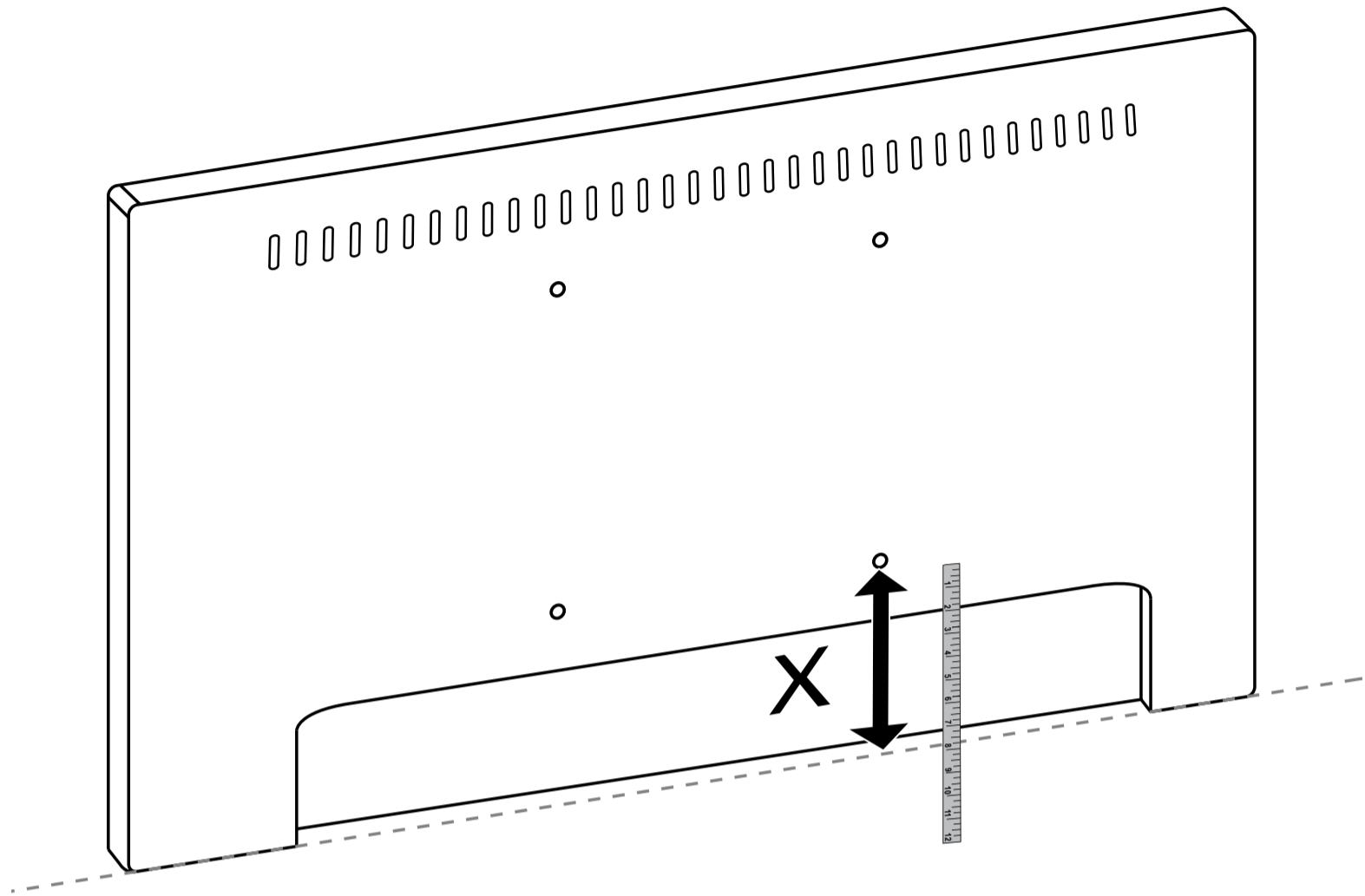
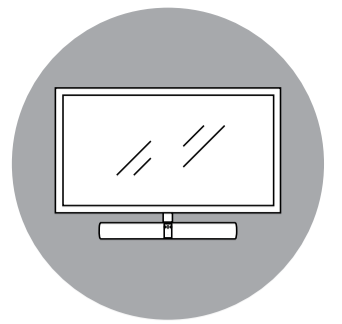
2

Detach the existing **VESA mount** from your screen.



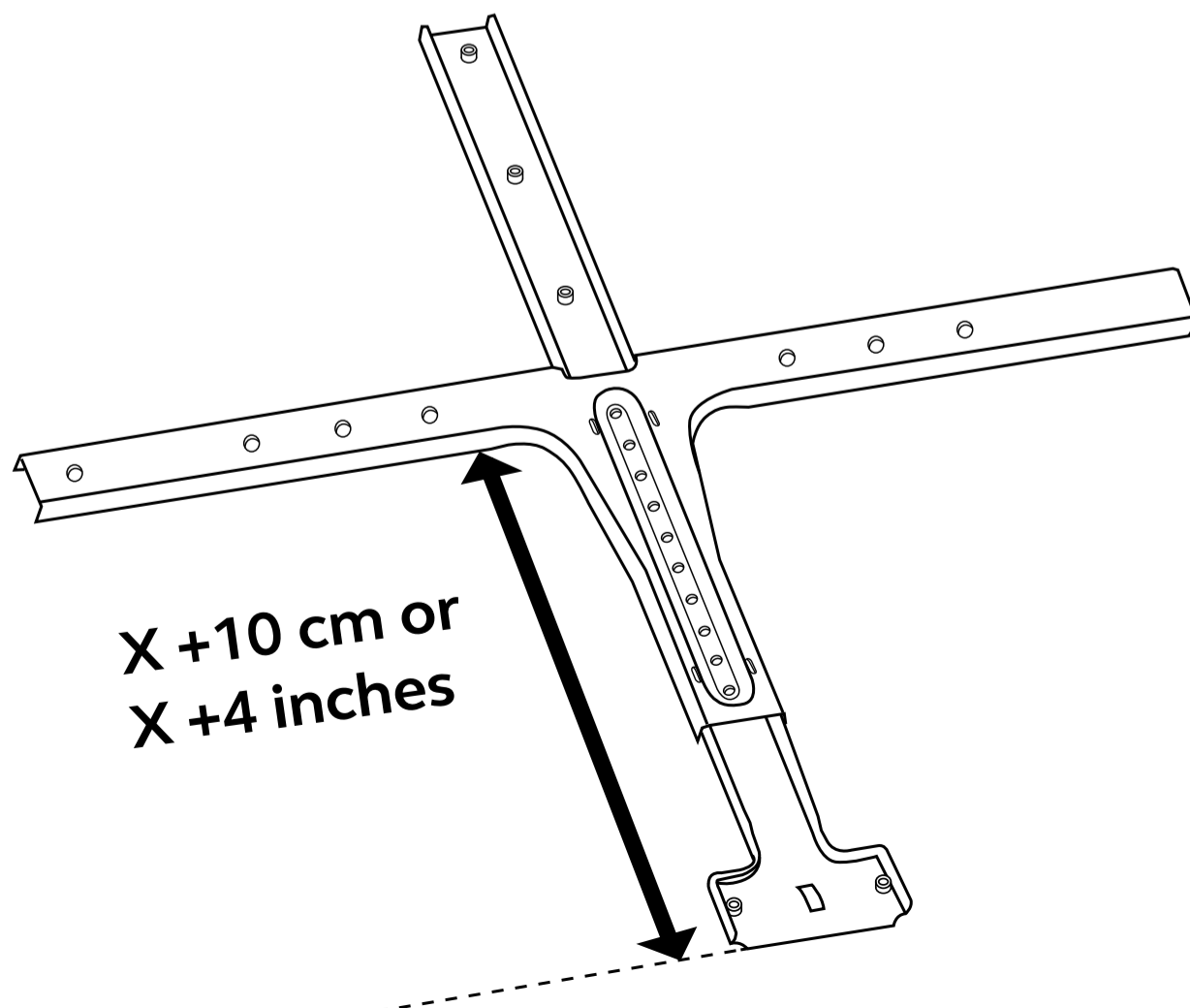
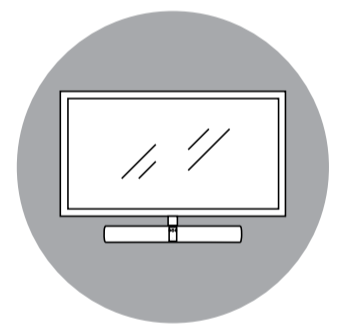
3

Measure the distance between the VESA mount hole and the bottom of the screen. This distance is **X**.



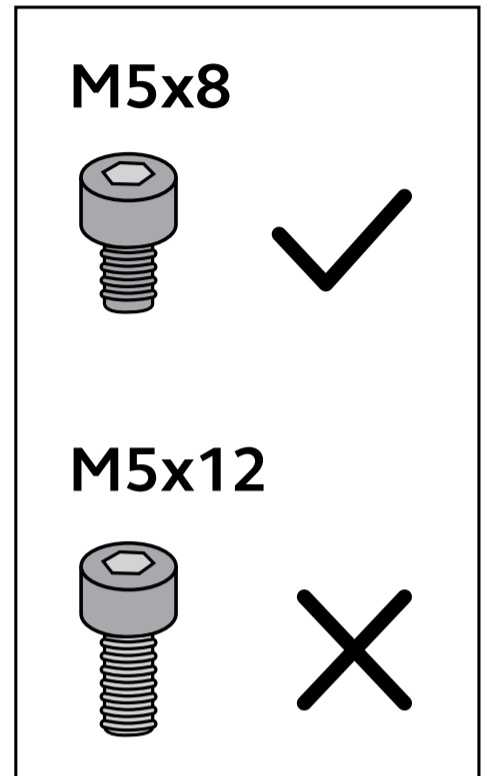
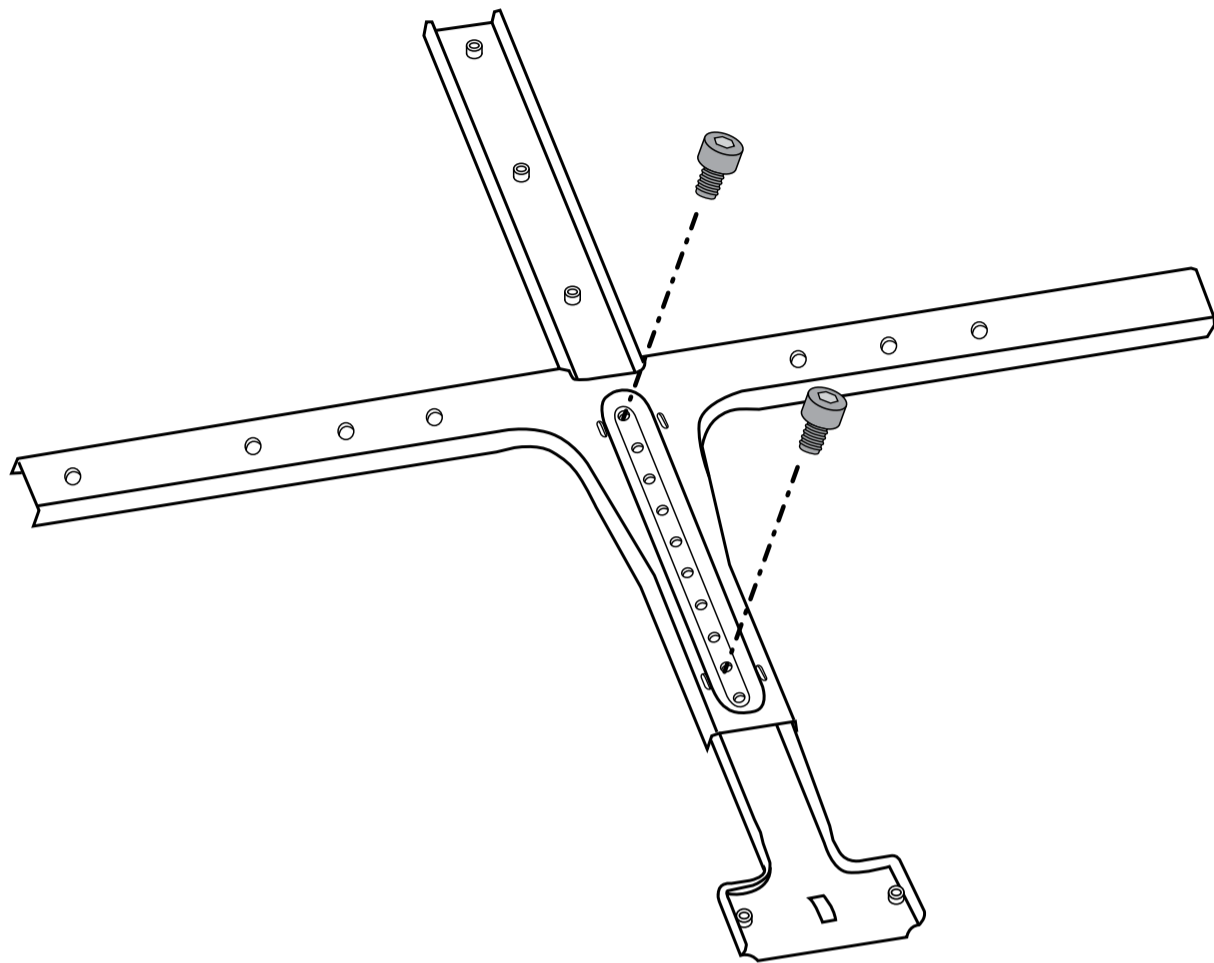
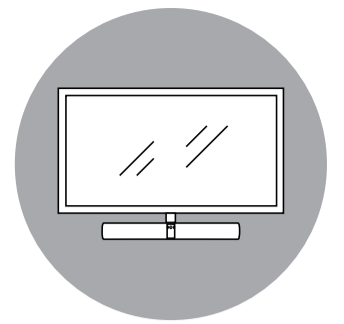
4

Assemble the Screen Mount and ensure that the distance illustrated is approx **X +10 cm or X +4 inches**.



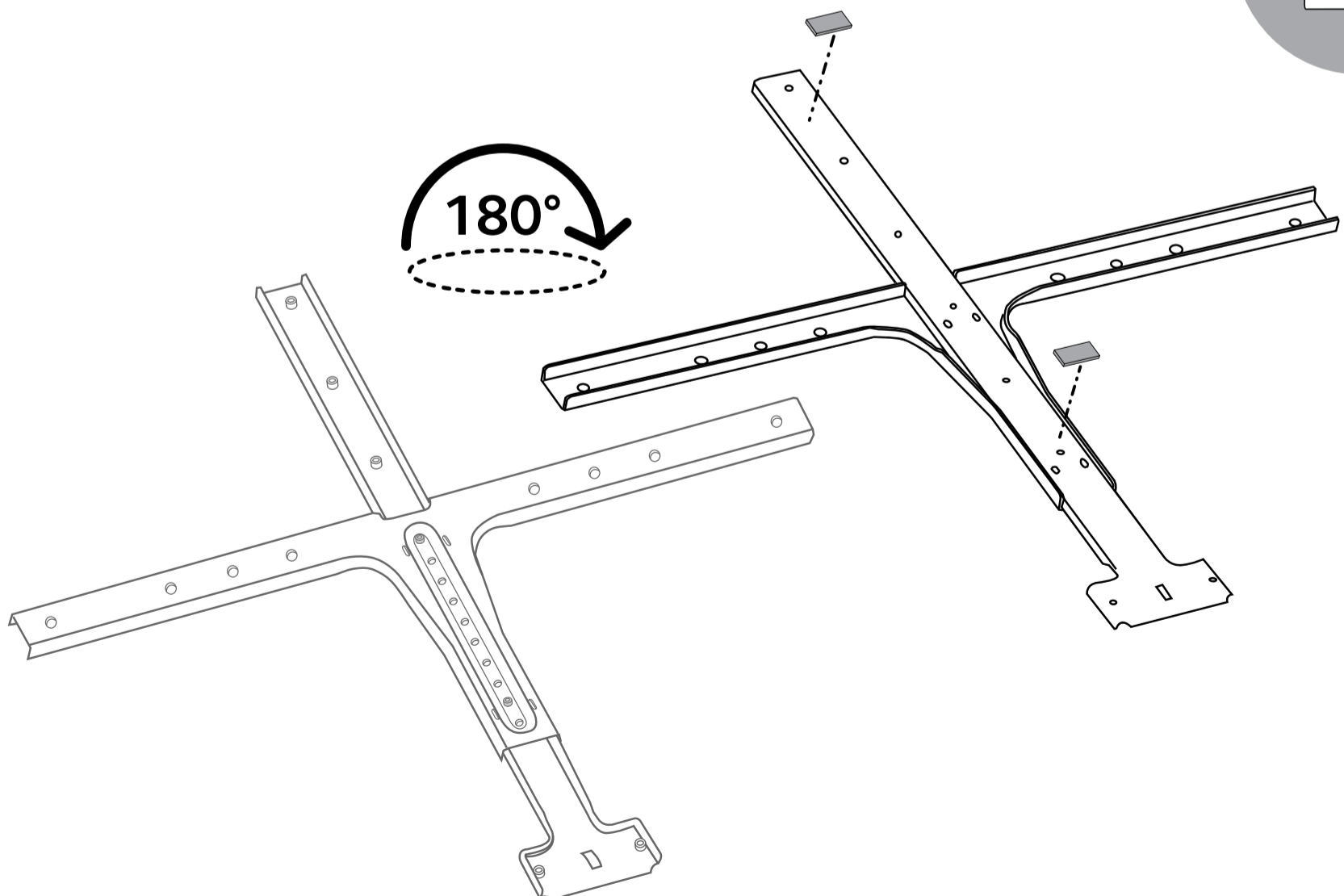
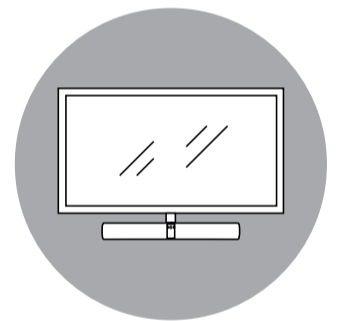
5

Screw the horizontal and vertical sections together using the supplied **M5x8 screws** and a **4 mm hex key**.



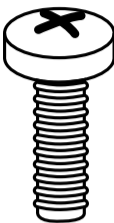
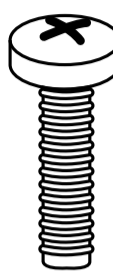
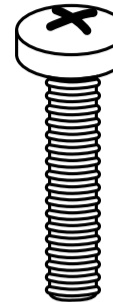
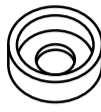


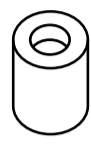
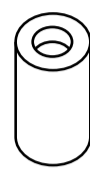
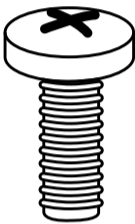
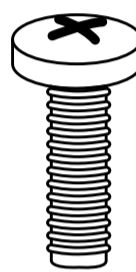
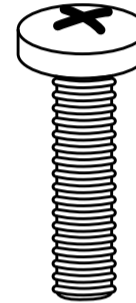


6

Stick the adhesive **protective pads** to the back of the Screen Mount.



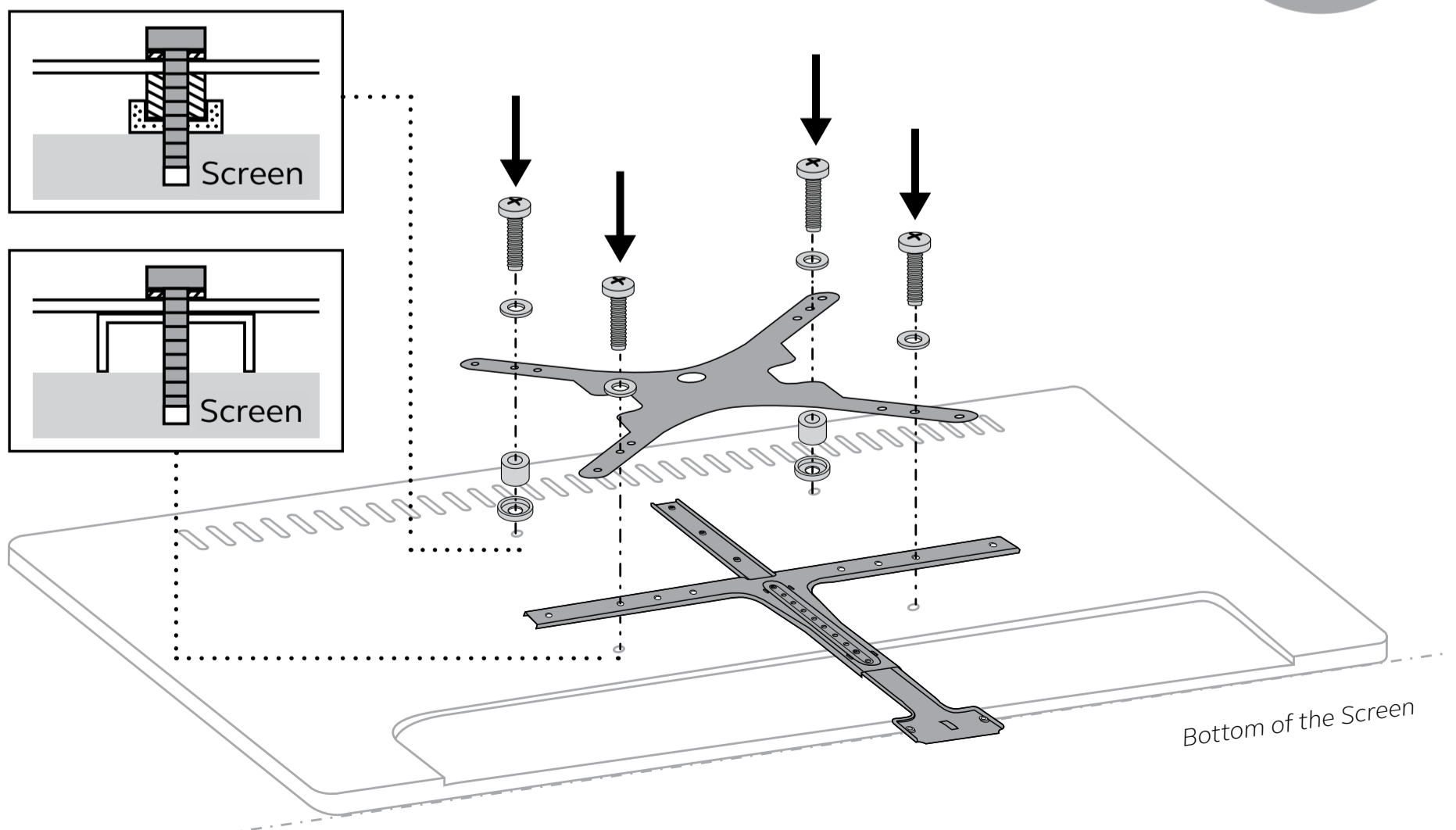
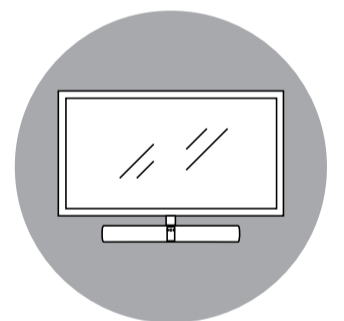
7

Select the screws, washers and spacers that best fit the contours of your screen.

Screws			Spacers				
							
M6x30 (4 pcs)	M6x40 (4 pcs)	M6x50 (4 pcs)	2 mm (2 pcs)	5 mm (4 pcs)	12 mm (2 pcs)	22 mm (4 pcs)	32 mm (4 pcs)
Screws			Washers				
							
M8x30 (4 pcs)	M8x40 (4 pcs)	M8x50 (4 pcs)	M6 (4 pcs)	M8 (4 pcs)			

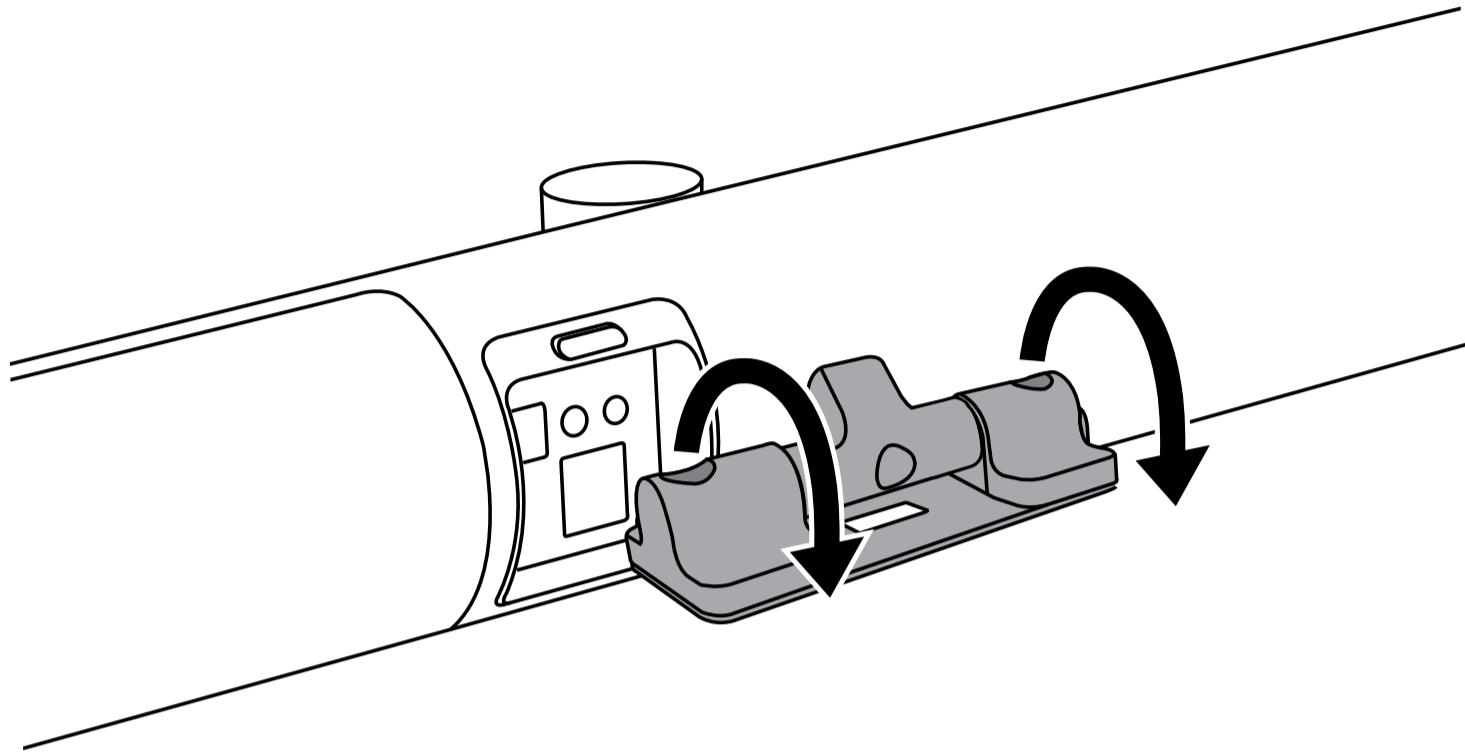
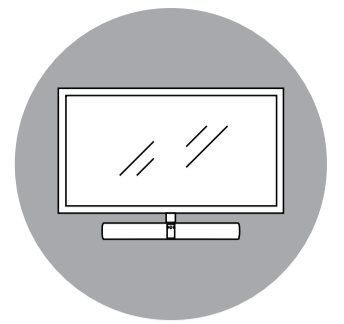
8

Screw the Screen Mount and the VESA mount (not supplied) to the screen as illustrated, using the ideal spacer length for the uppermost screws.



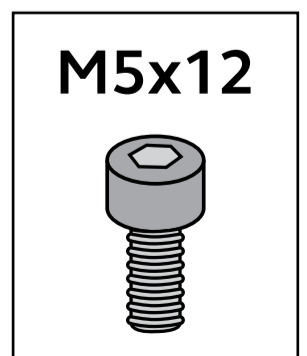
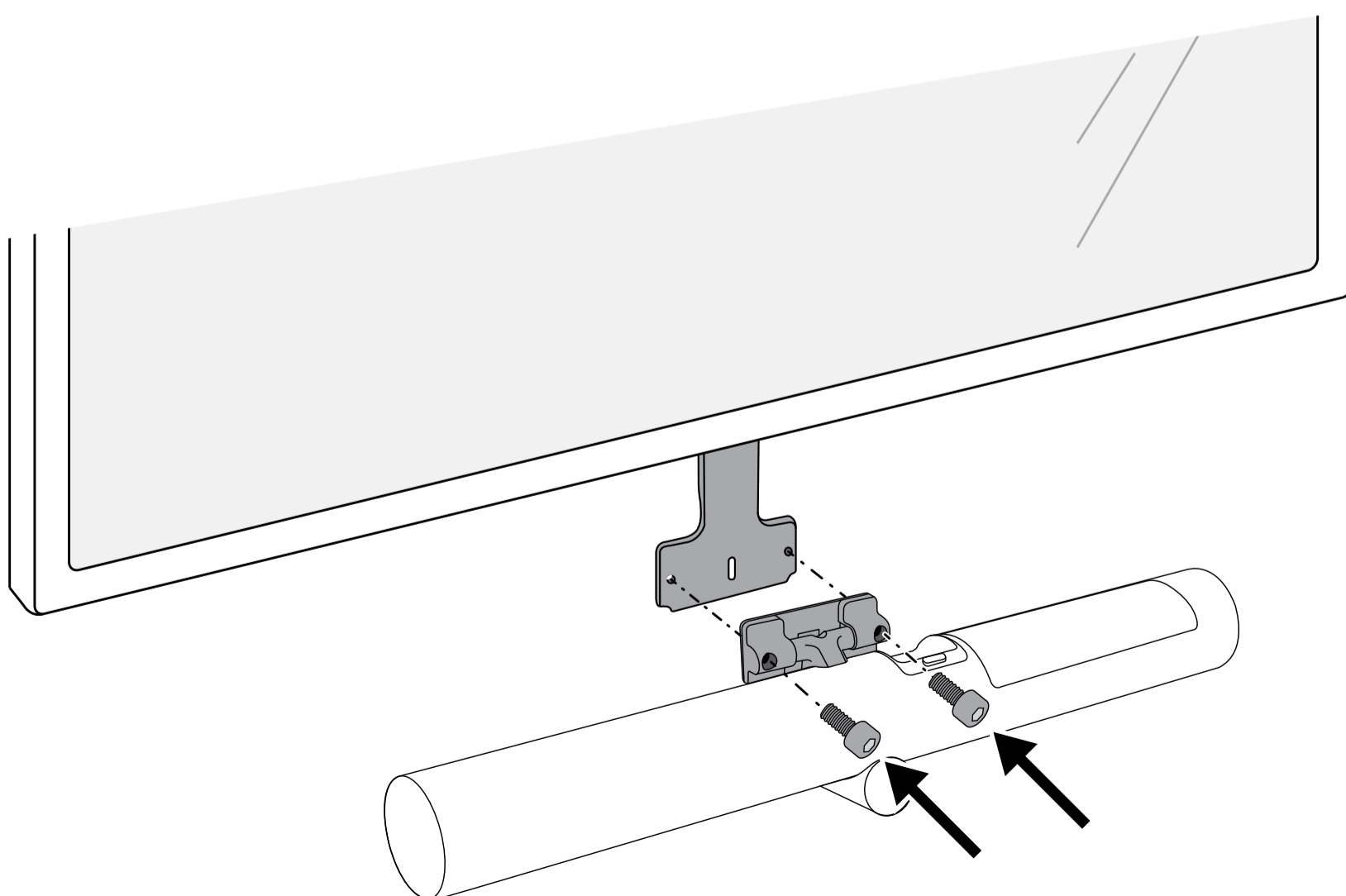
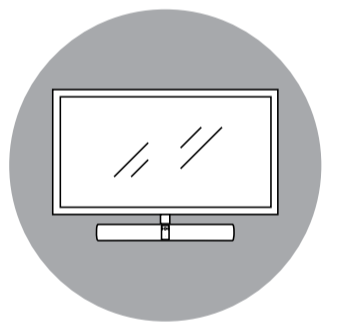
9

Tilt the hinge on the PanaCast 50 for easy access to the screw holes.



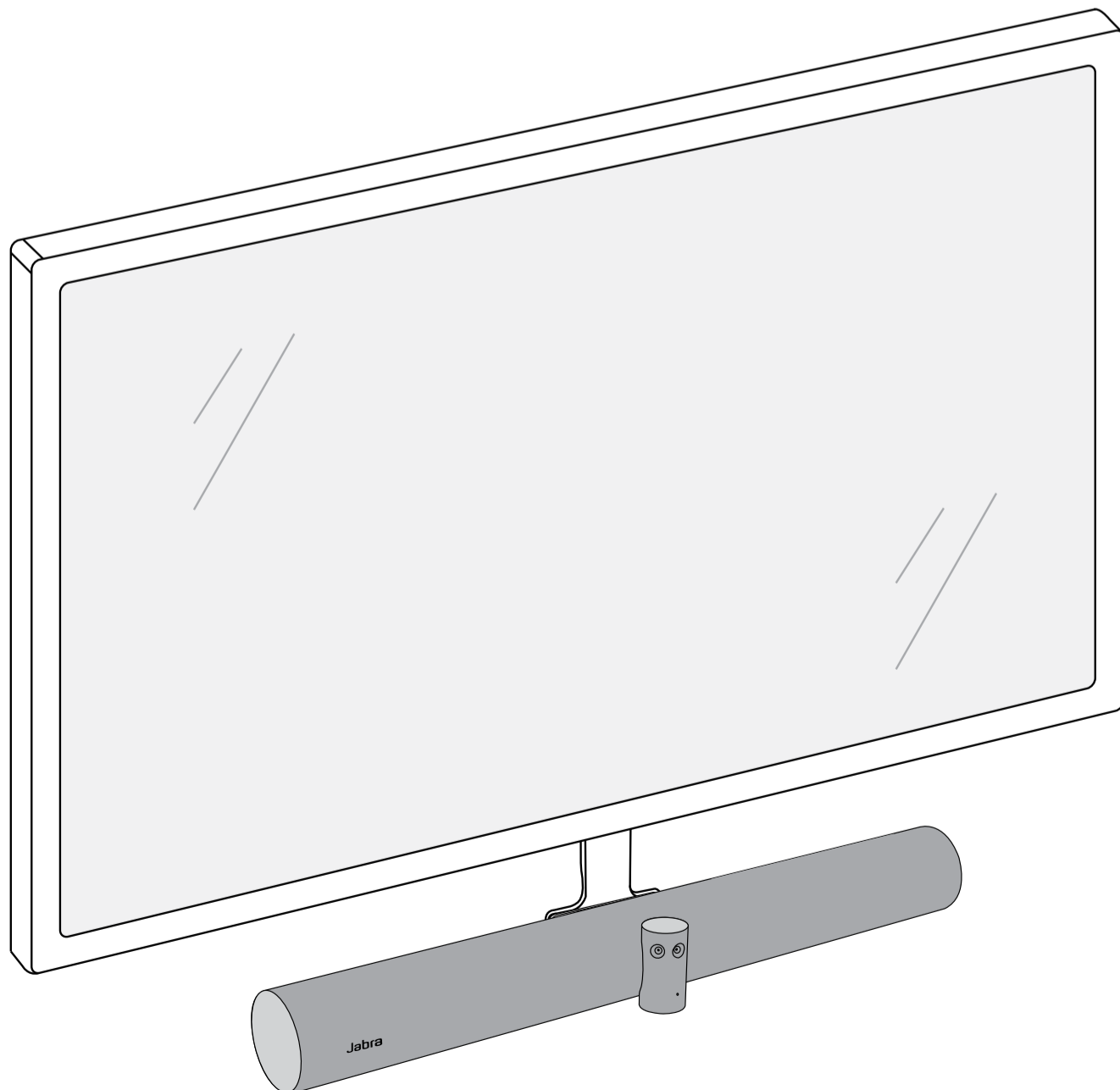
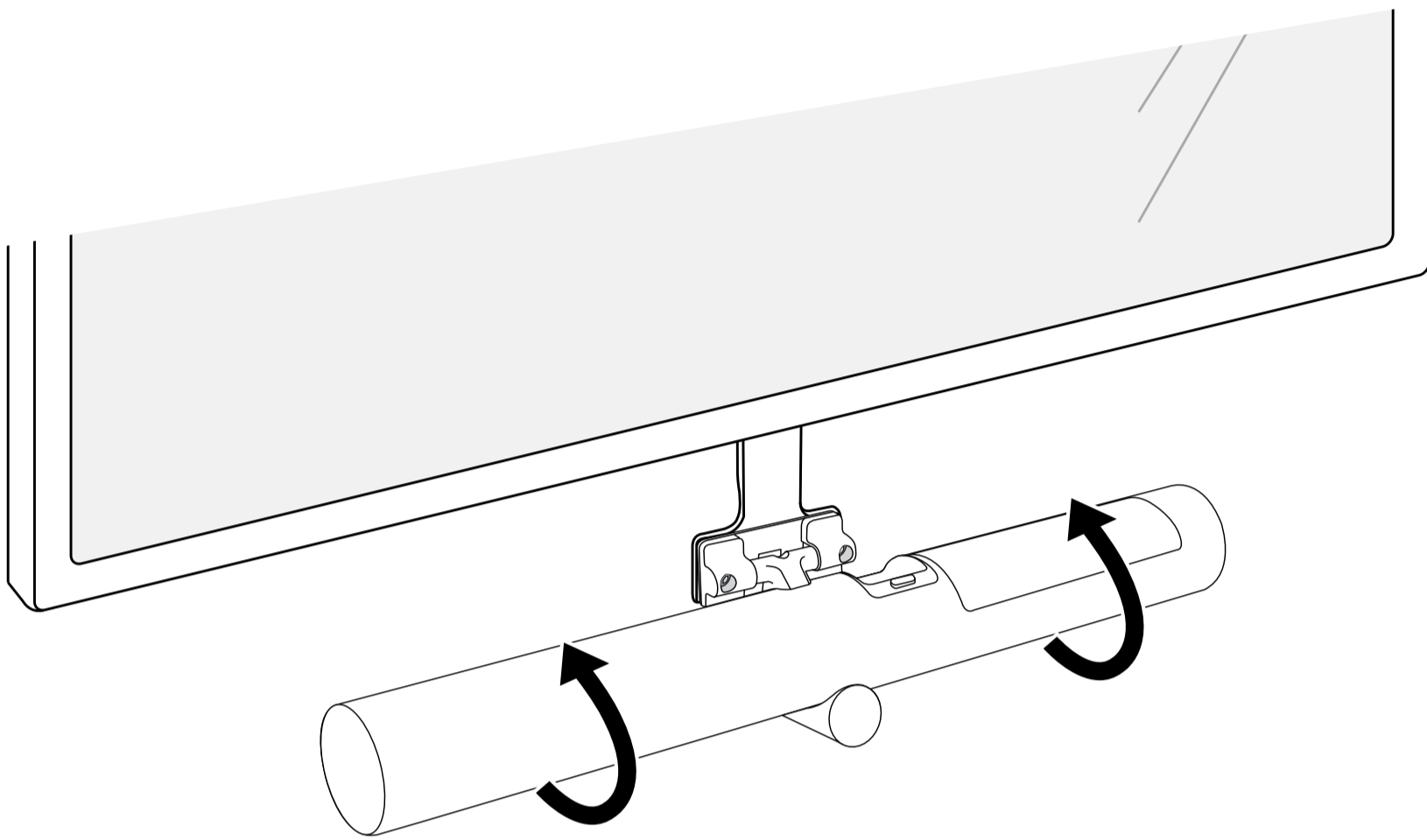
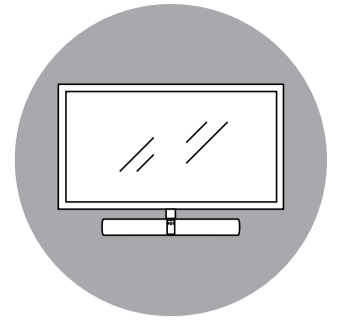
10

Mount the PanaCast 50 to the Screen Mount using the supplied **M5x12 screws** and a **4 mm hex key**.



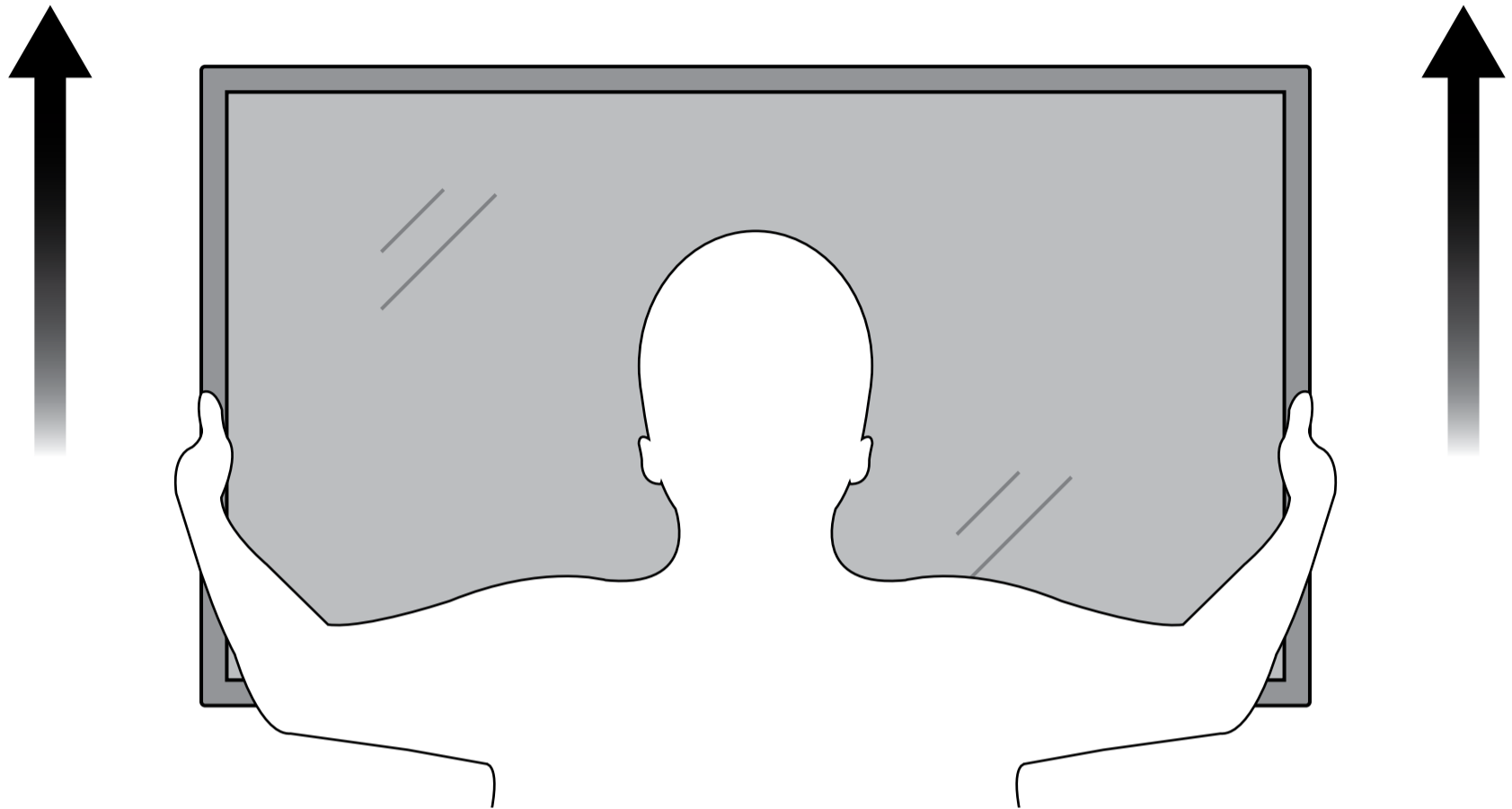
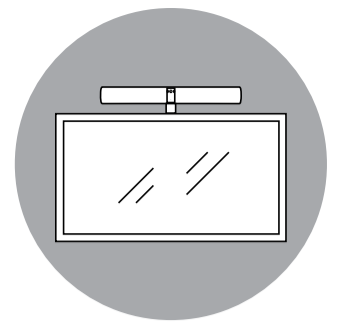
11

Rotate the PanaCast 50 into its final position and angle the camera to point at eye-level.



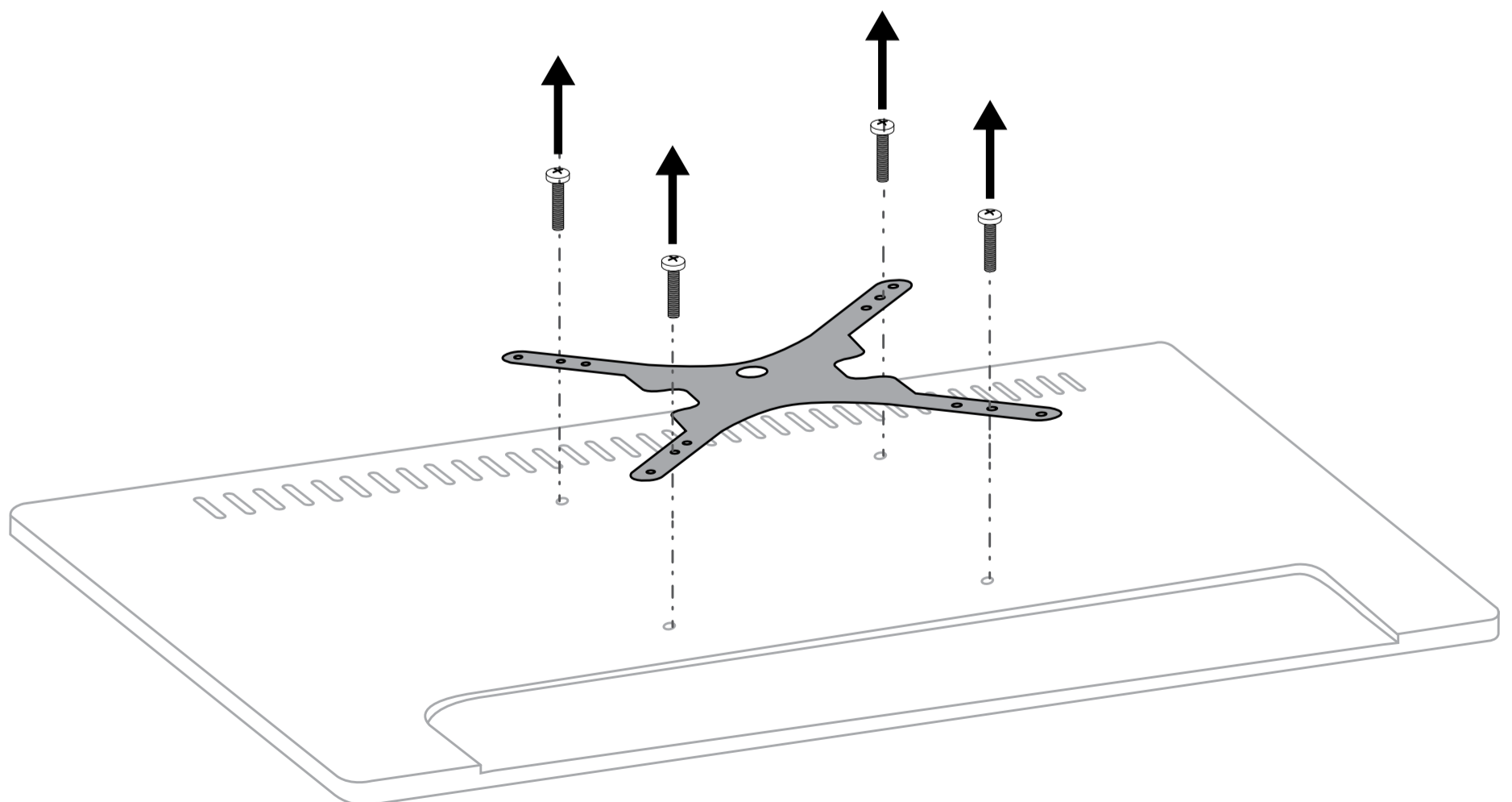
1

If the screen is already wall-mounted, remove it from the wall.



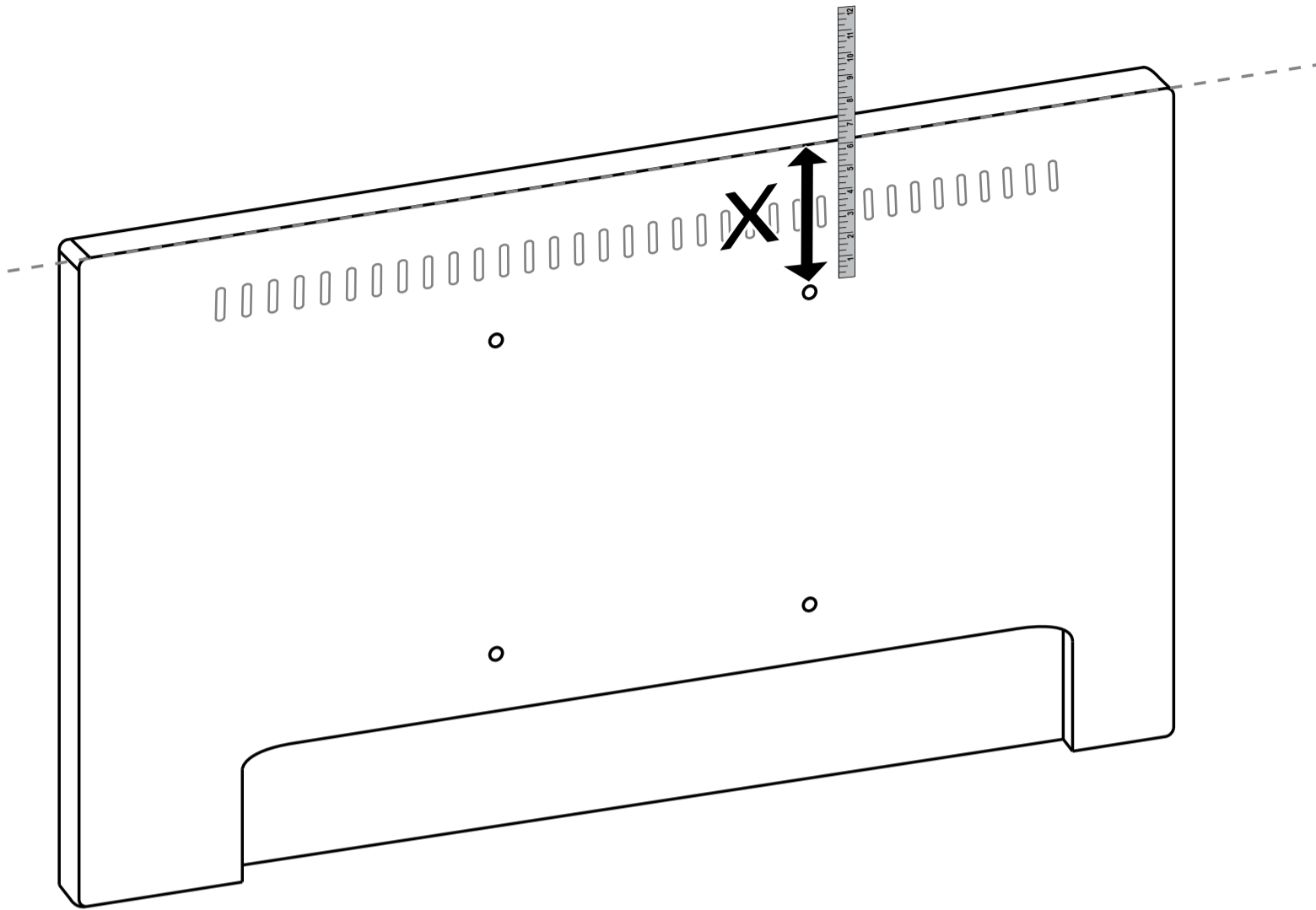
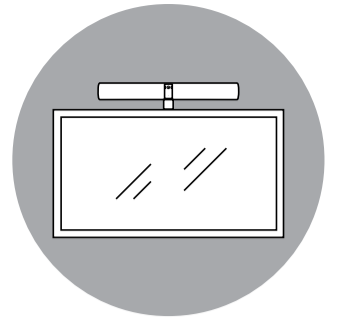
2

Detach the existing **VESA mount** from your screen.



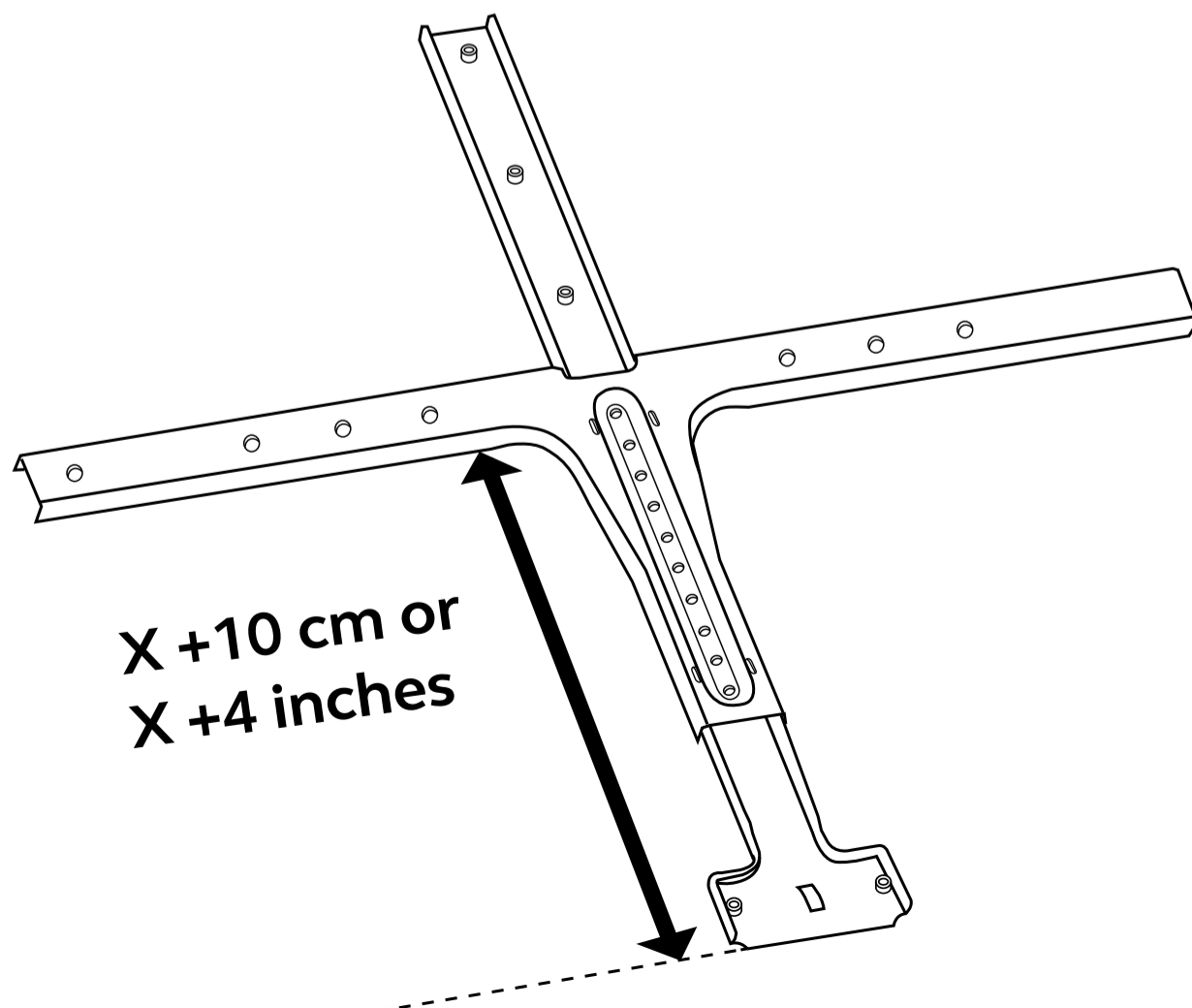
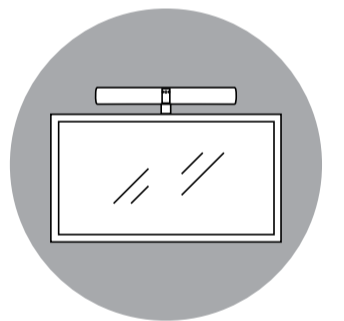
3

Measure the distance between the VESA mount hole and the top of the screen. This distance is **X**.



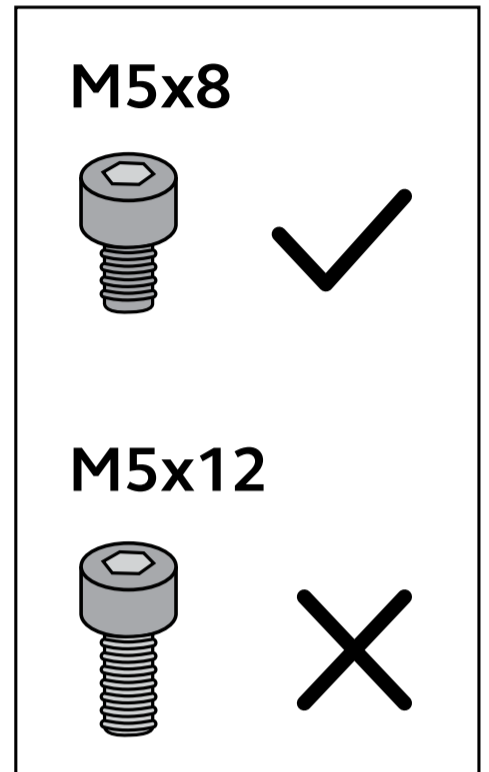
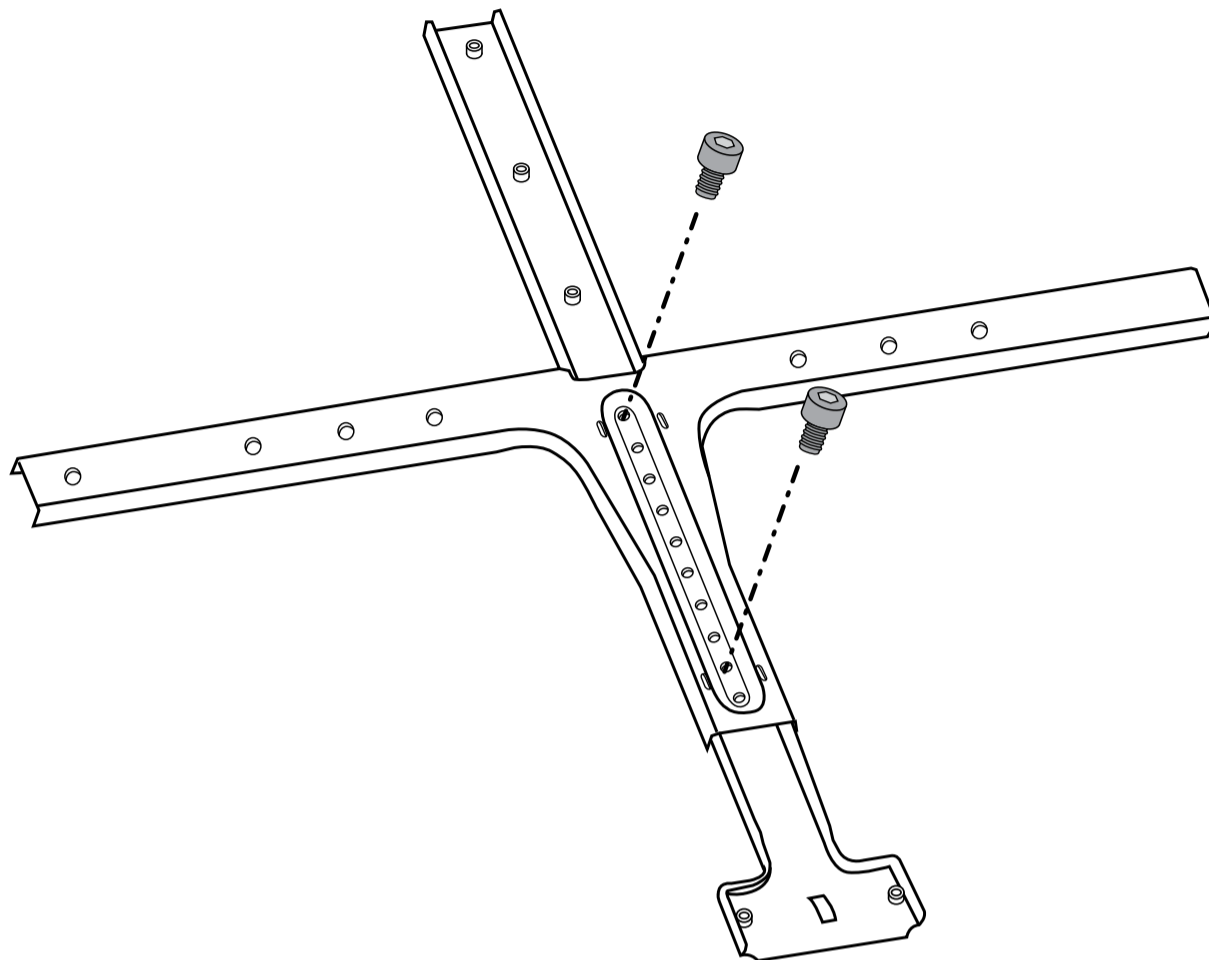
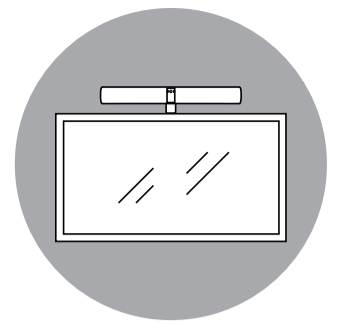
4

Assemble the Screen Mount and ensure that the distance illustrated is approx **X +10 cm or X +4 inches**.



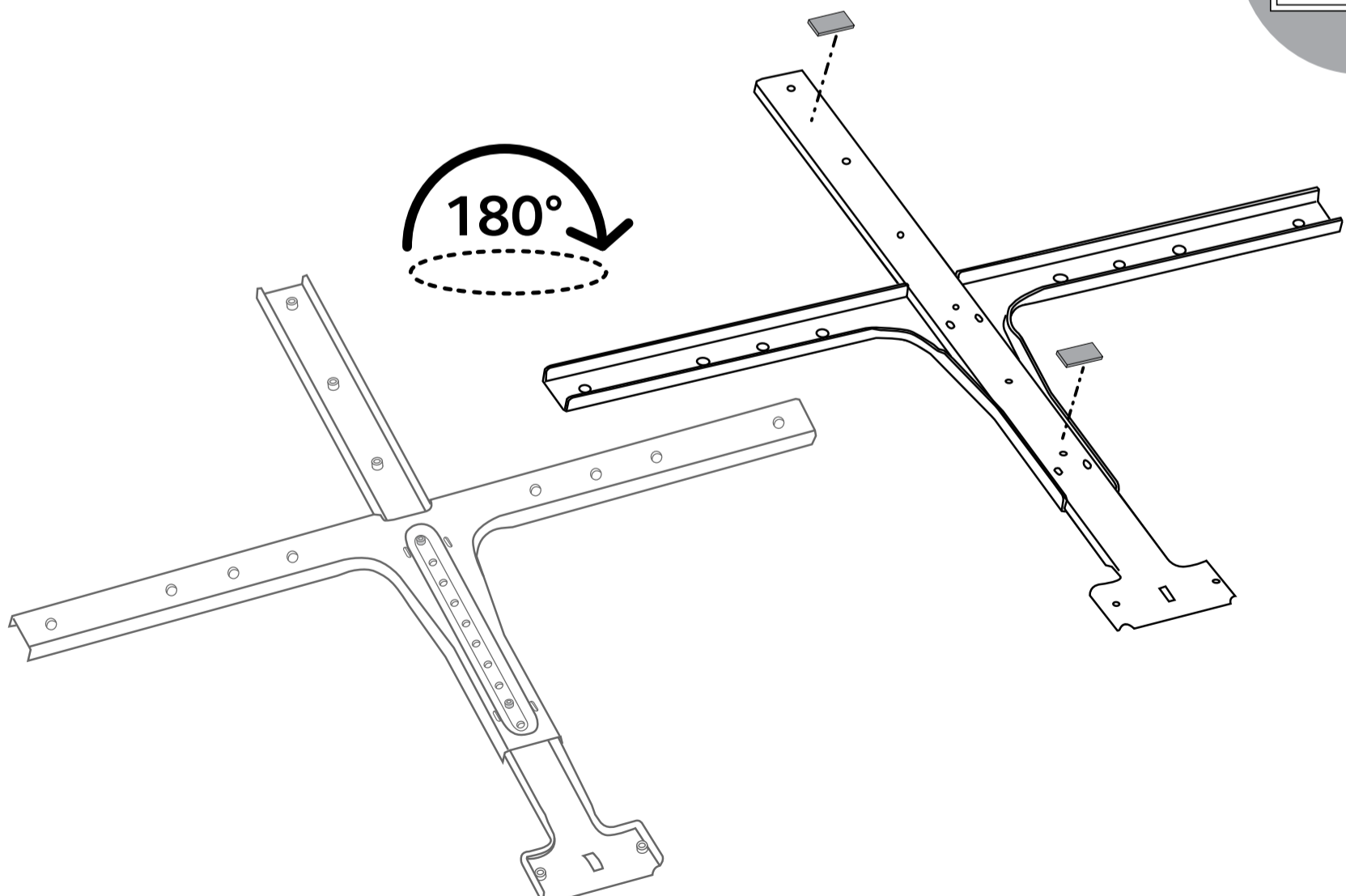
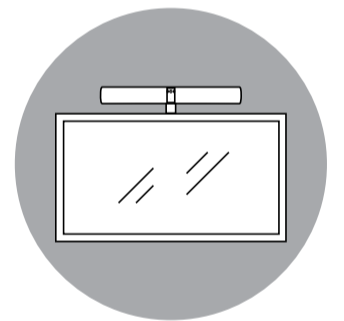
5

Screw the horizontal and vertical sections together using the supplied **M5x8 screws** and a **4 mm hex key**.



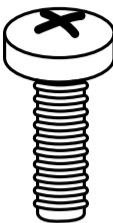
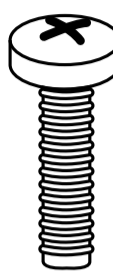
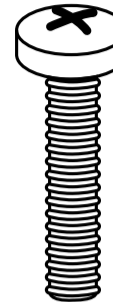
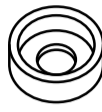


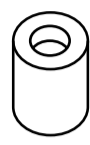
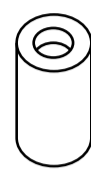
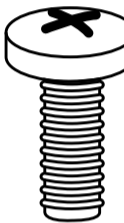
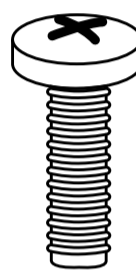
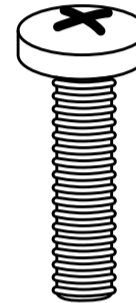


6

Stick the adhesive **protective pads** to the back of the Screen Mount.



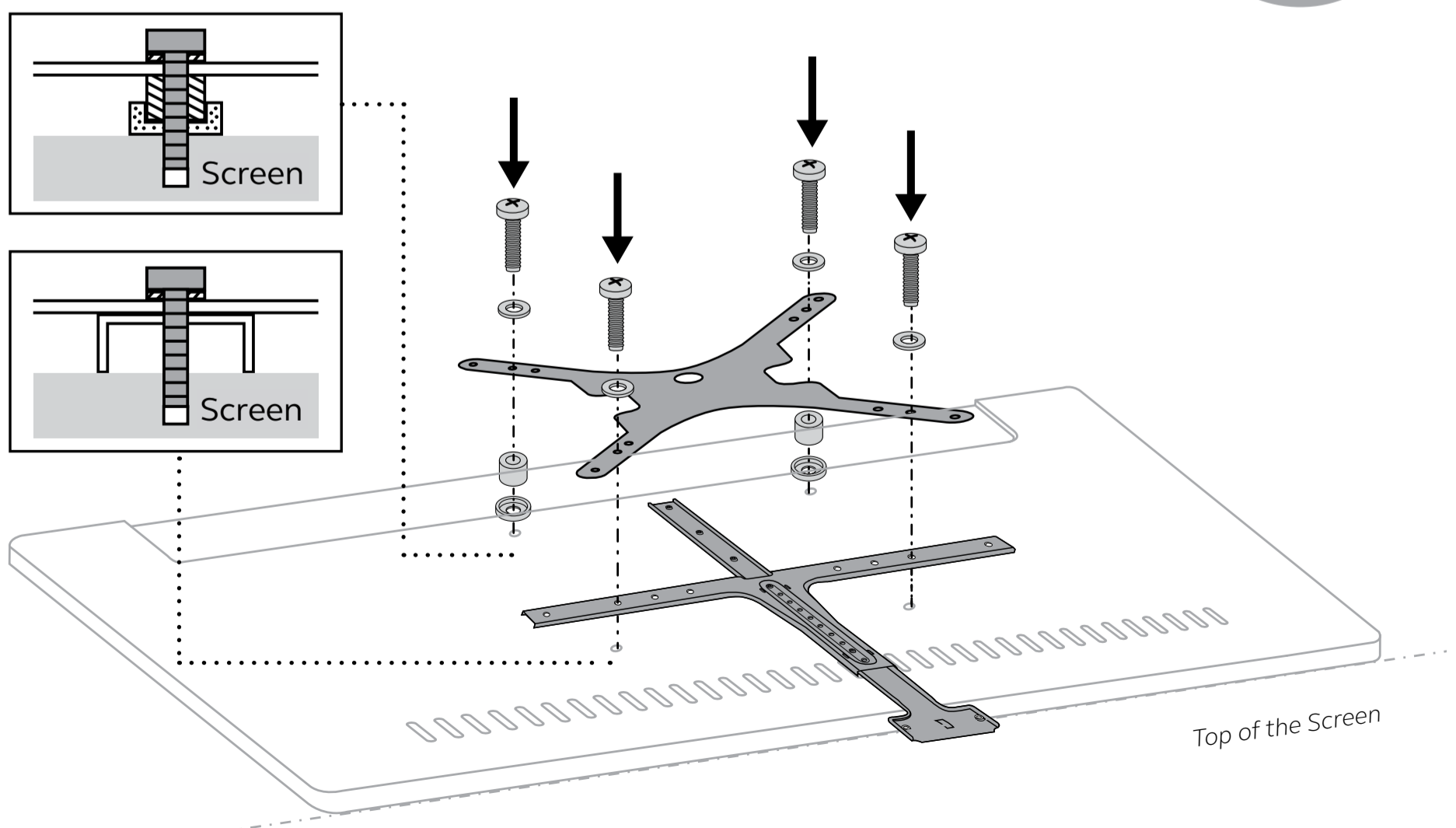
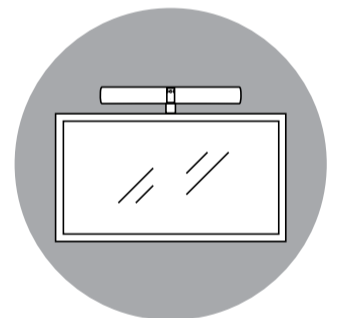
7

Select the screws, washers and spacers that best fit the contours of your screen.

Screws			Spacers				
							
M6x30 (4 pcs)	M6x40 (4 pcs)	M6x50 (4 pcs)	2 mm (2 pcs)	5 mm (4 pcs)	12 mm (2 pcs)	22 mm (4 pcs)	32 mm (4 pcs)
Screws			Washers				
							
M8x30 (4 pcs)	M8x40 (4 pcs)	M8x50 (4 pcs)	M6 (4 pcs)	M8 (4 pcs)			

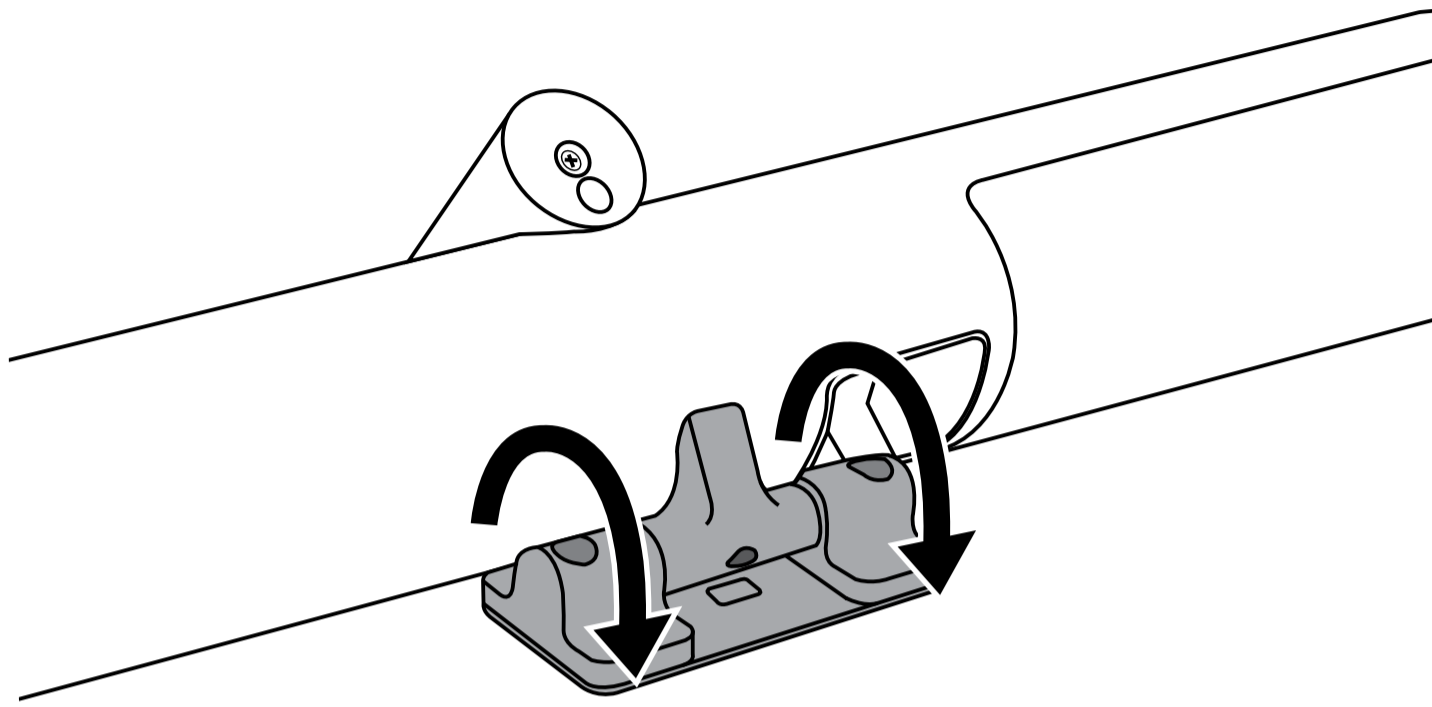
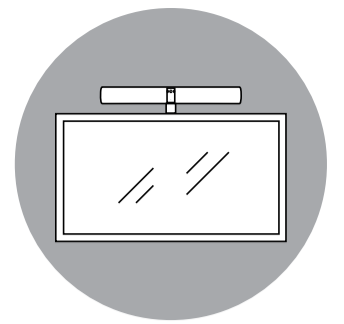
8

Screw the Screen Mount and the VESA mount (not supplied) to the screen as illustrated, using the ideal spacer length for the uppermost screws.



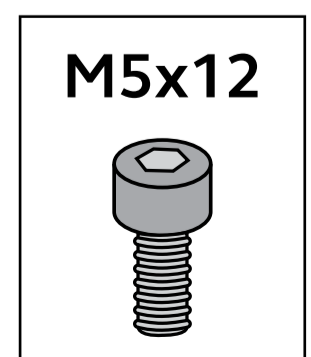
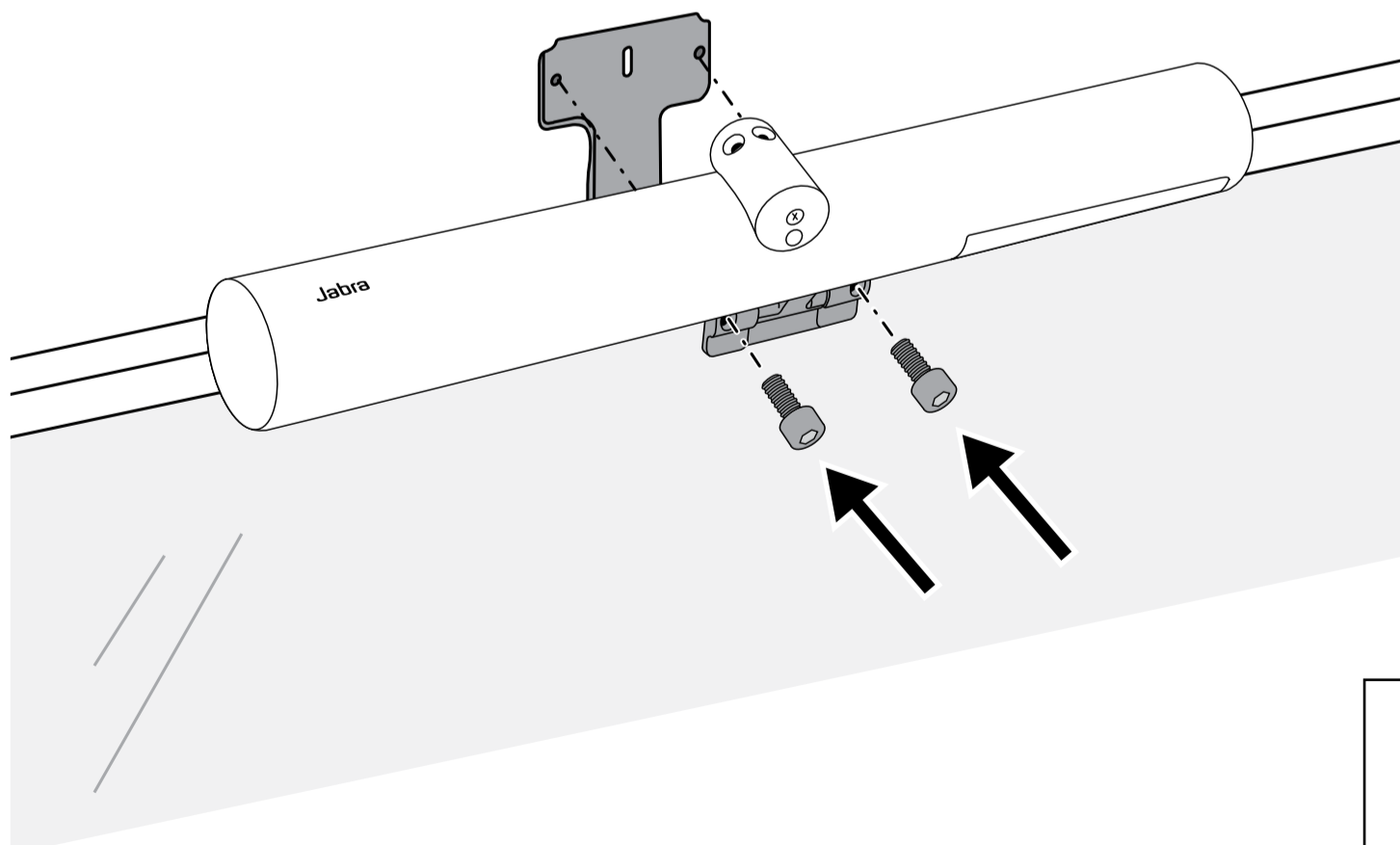
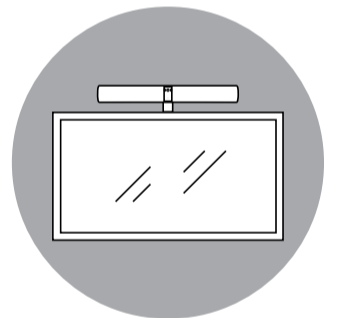
9

Tilt the hinge on the PanaCast 50 for easy access to the screw holes.



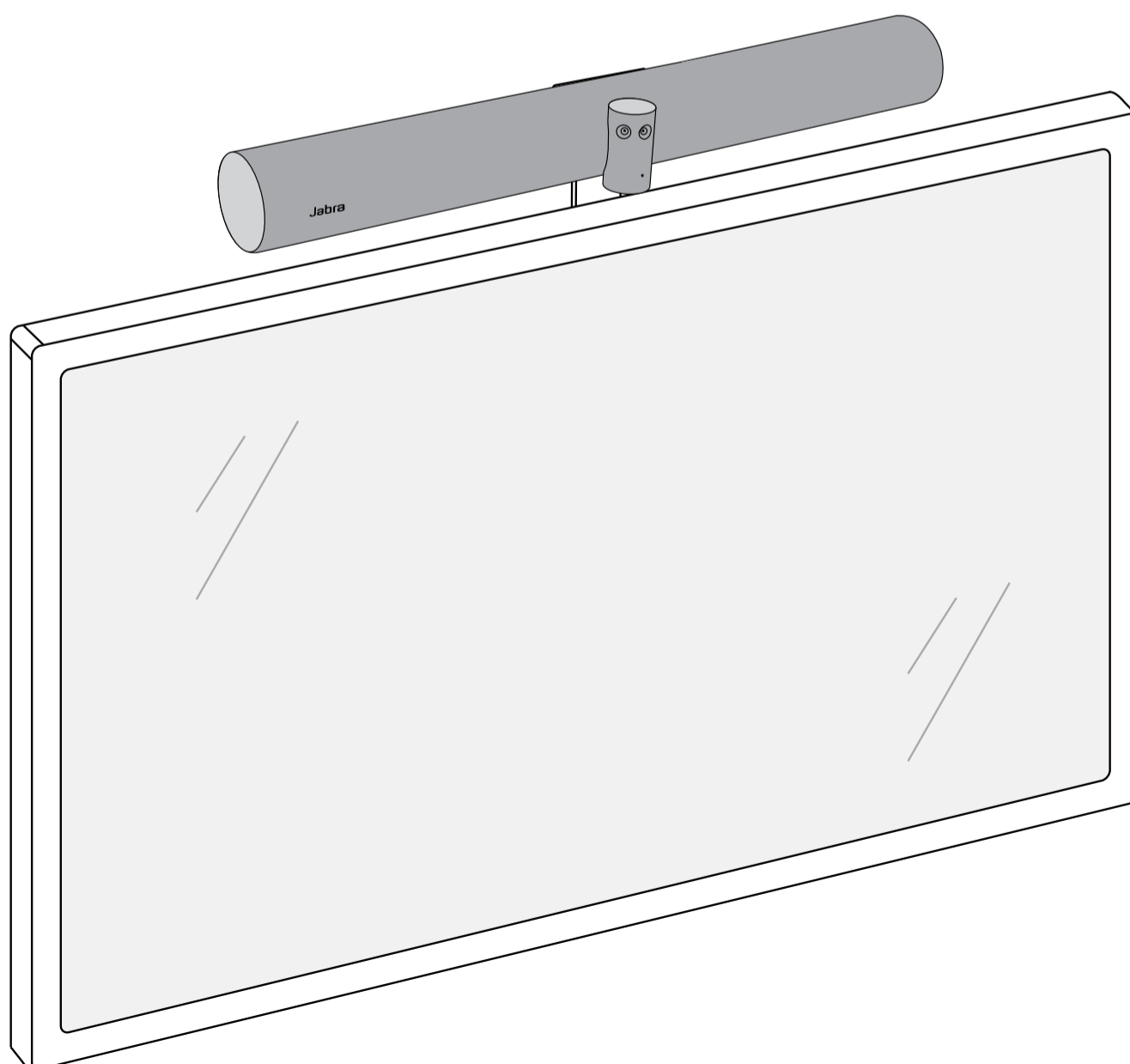
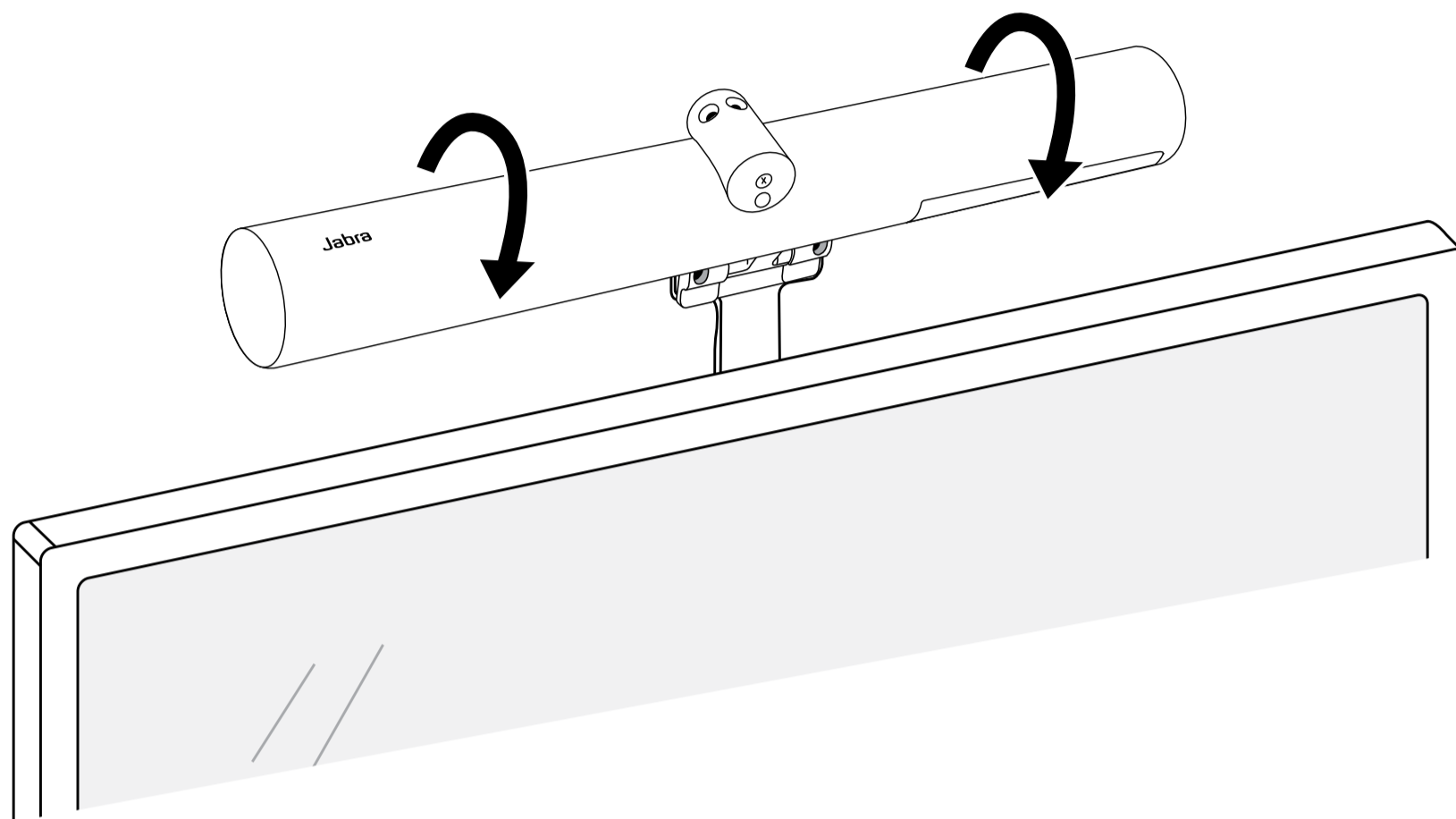
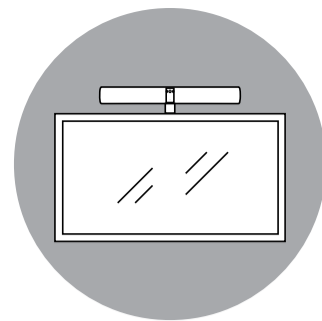
10

Mount the PanaCast 50 to the Screen Mount using the supplied **M5x12 screws** and a **4 mm hex key**.



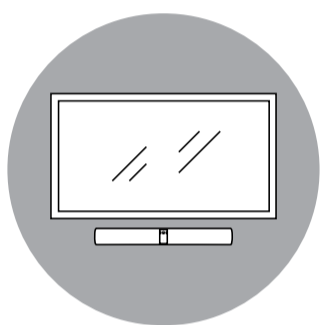
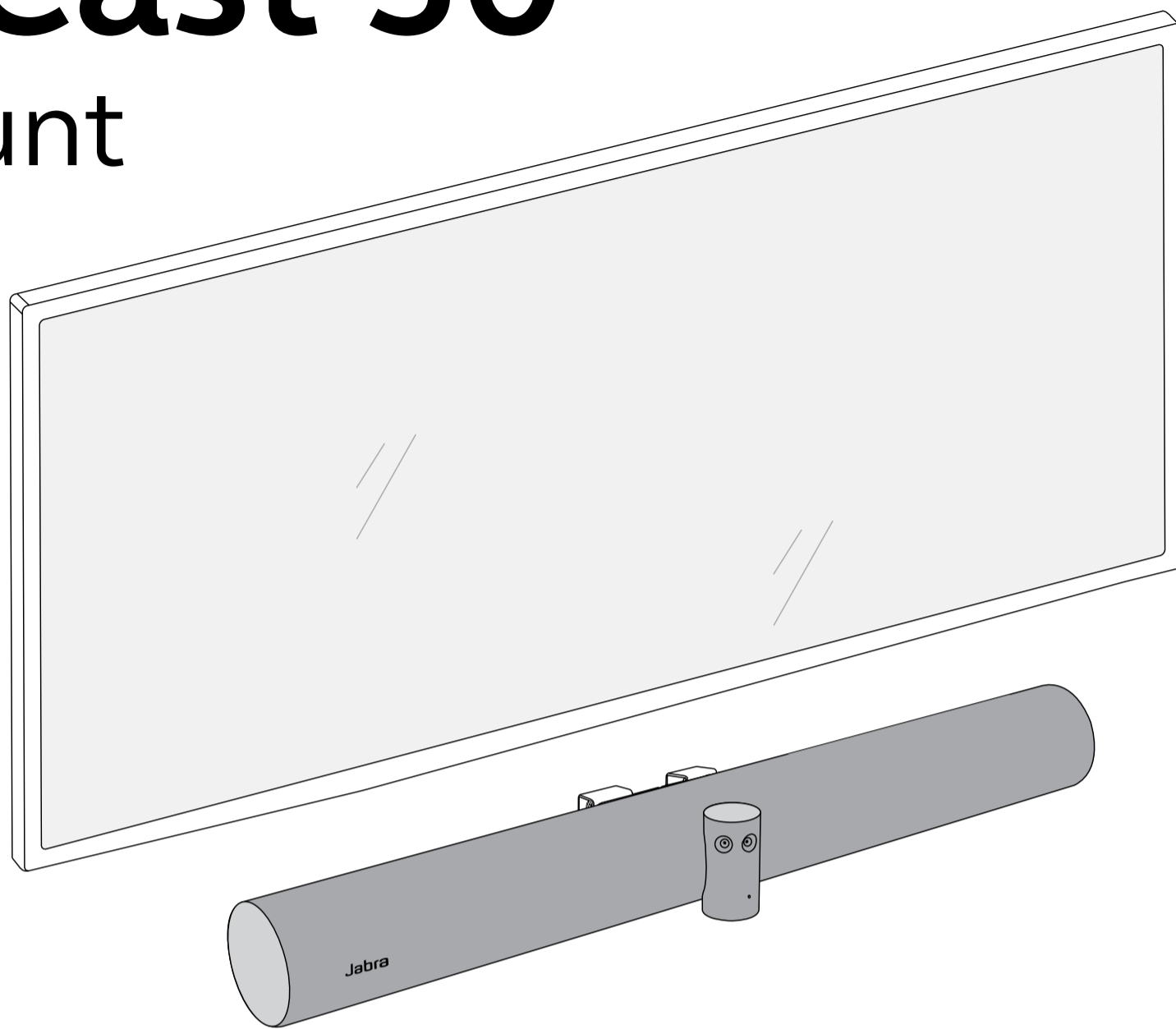
11

Rotate the PanaCast 50 into its final position and angle the camera to point at eye-level.



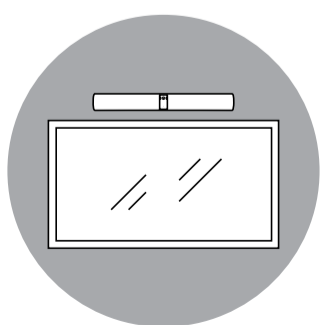
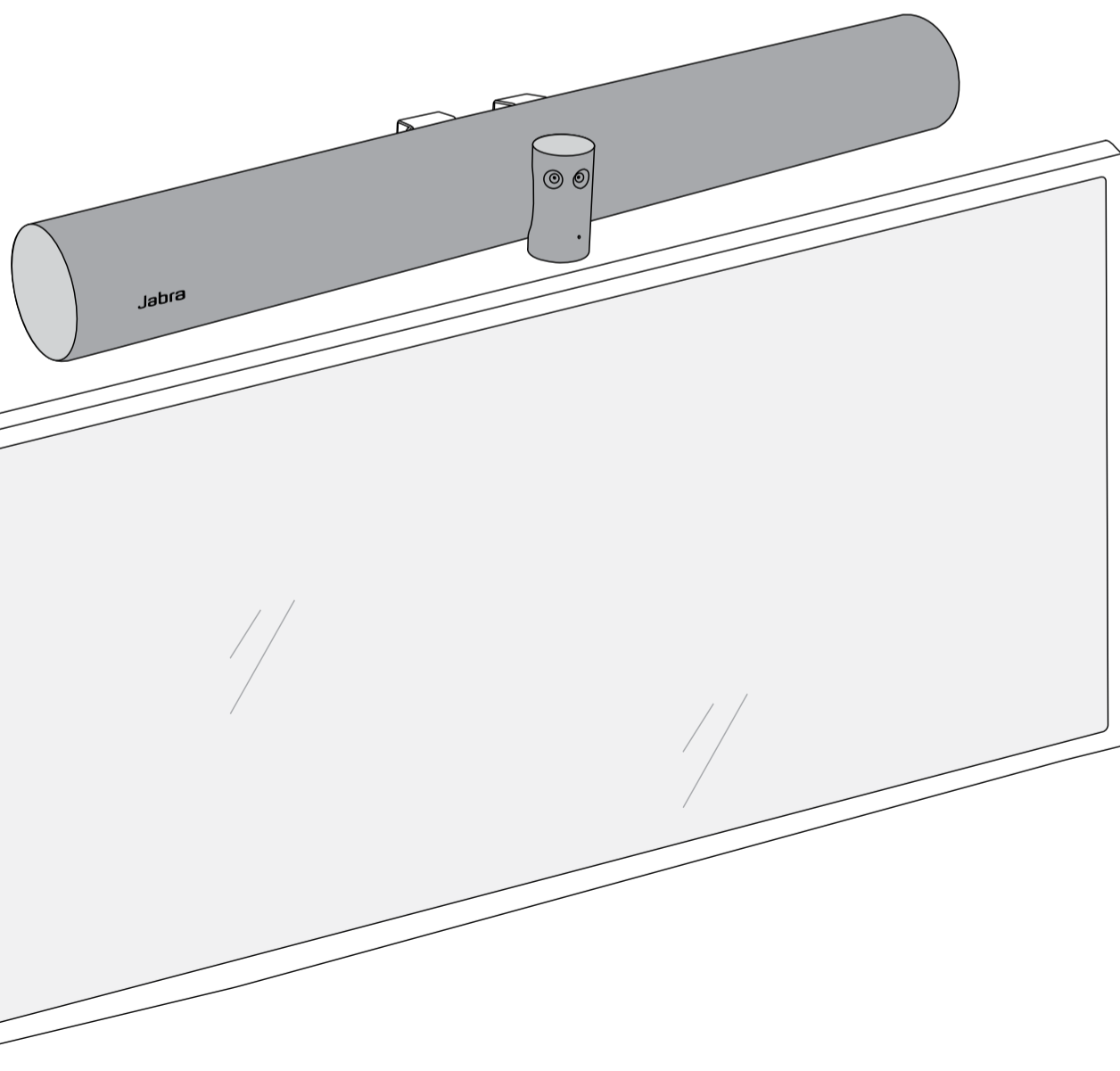
PanaCast 50

Wall Mount



Install below screen

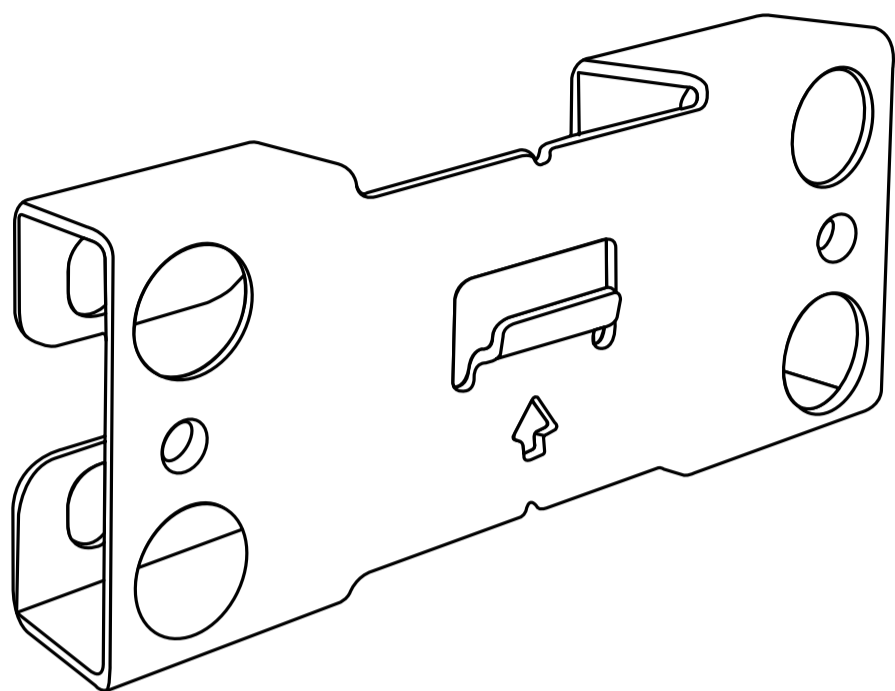
Start from page 1 →



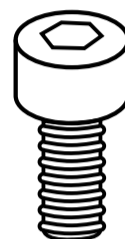
Install above screen

Start from page 6 →

Items included

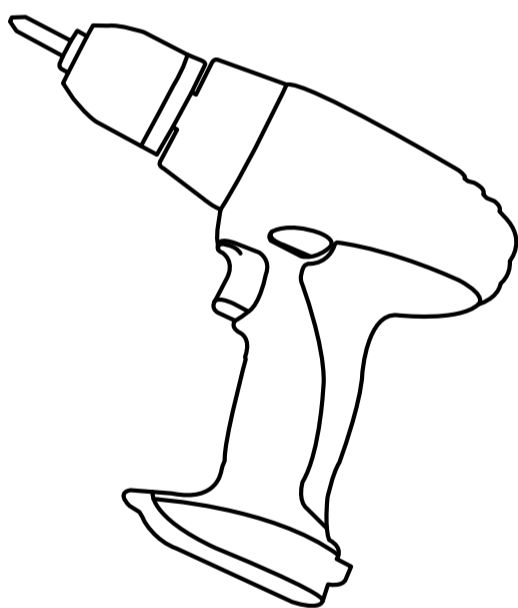


Wall Mount

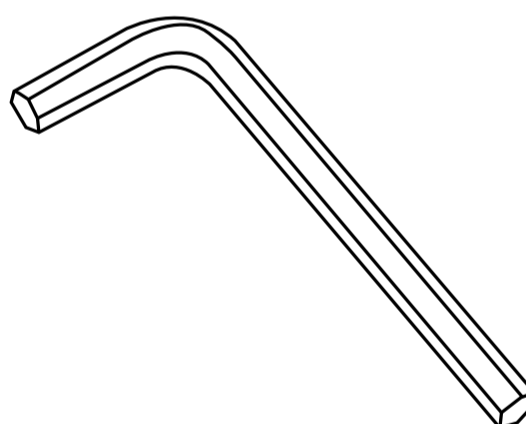


M5x12 Screws
(2 pcs)

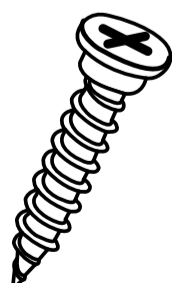
Tools needed (not supplied in the pack)



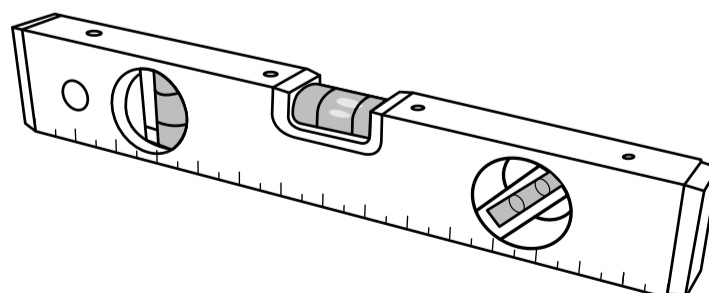
Drill



4mm hex key



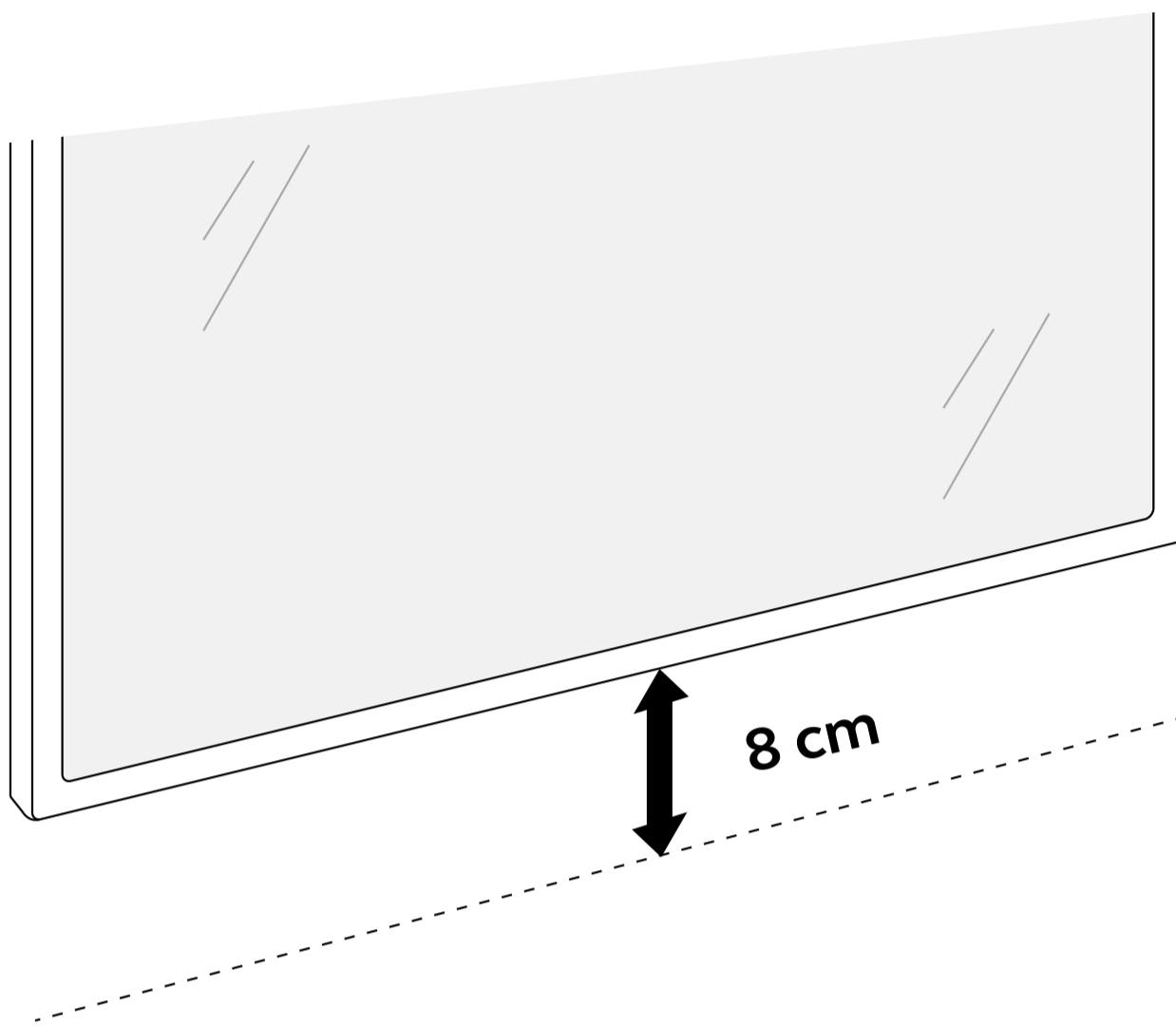
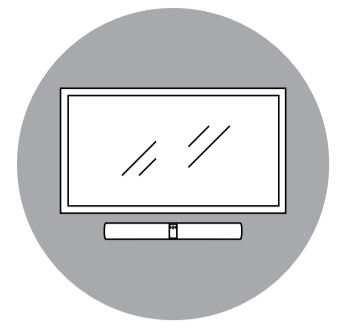
Wall screws



Level

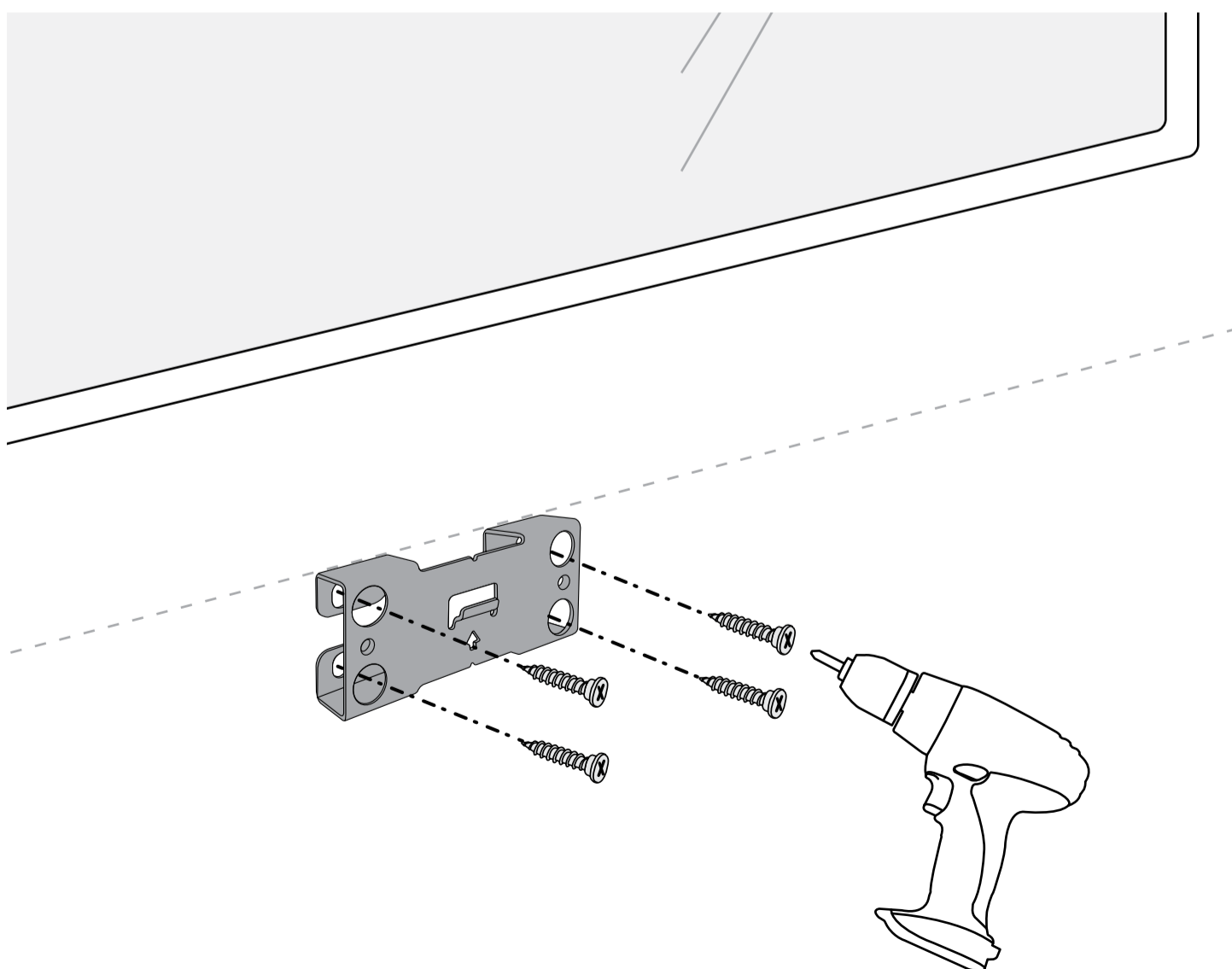
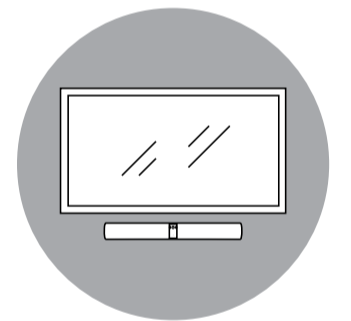
1

Measure **8cm** below the screen for Wall Mount placement. The top of the **Wall Mount** will align with the 8cm.



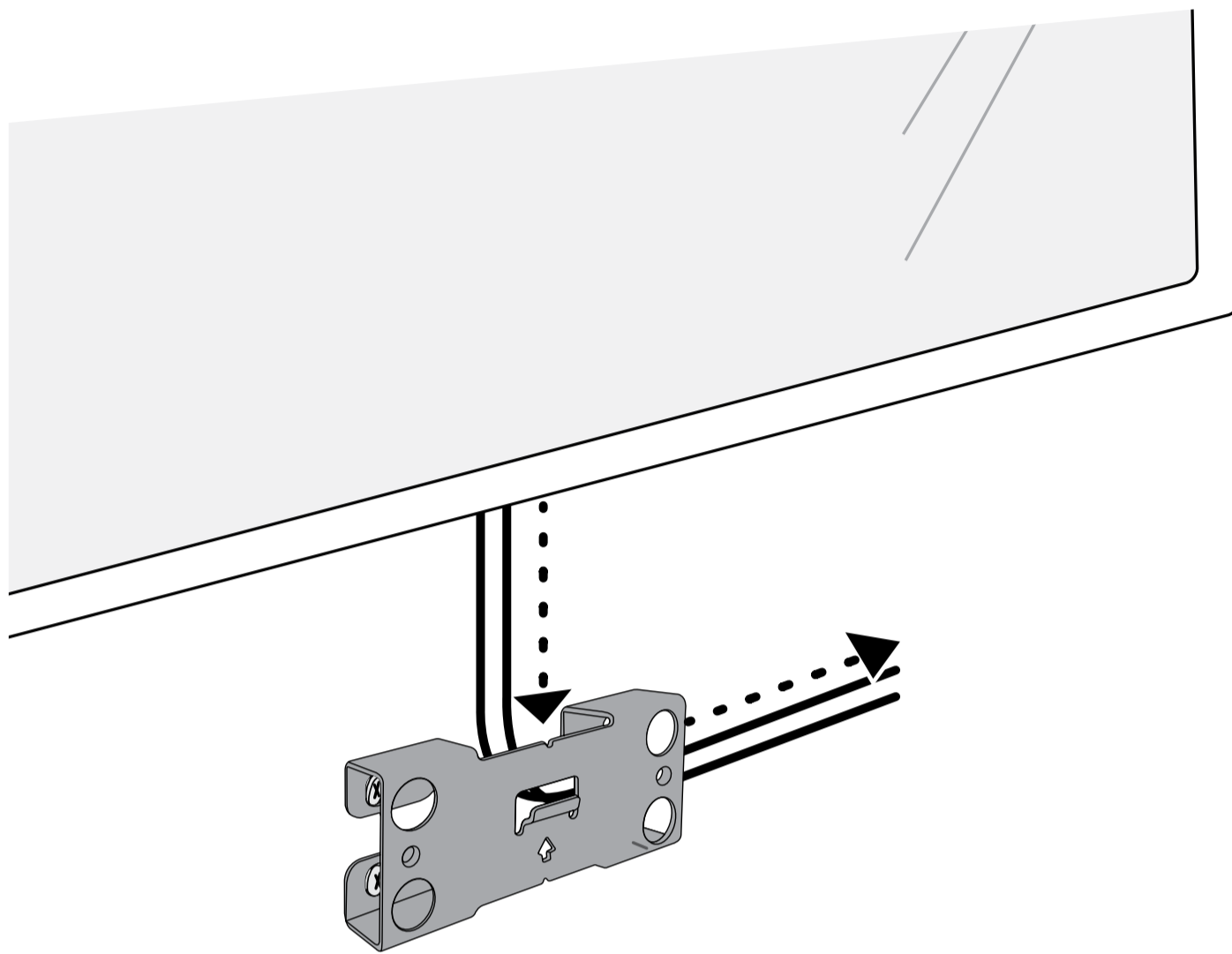
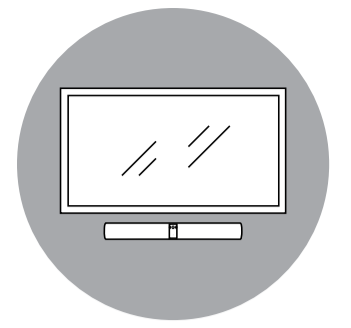
2

Screw the **Wall Mount** to the wall using a drill (screws not supplied).



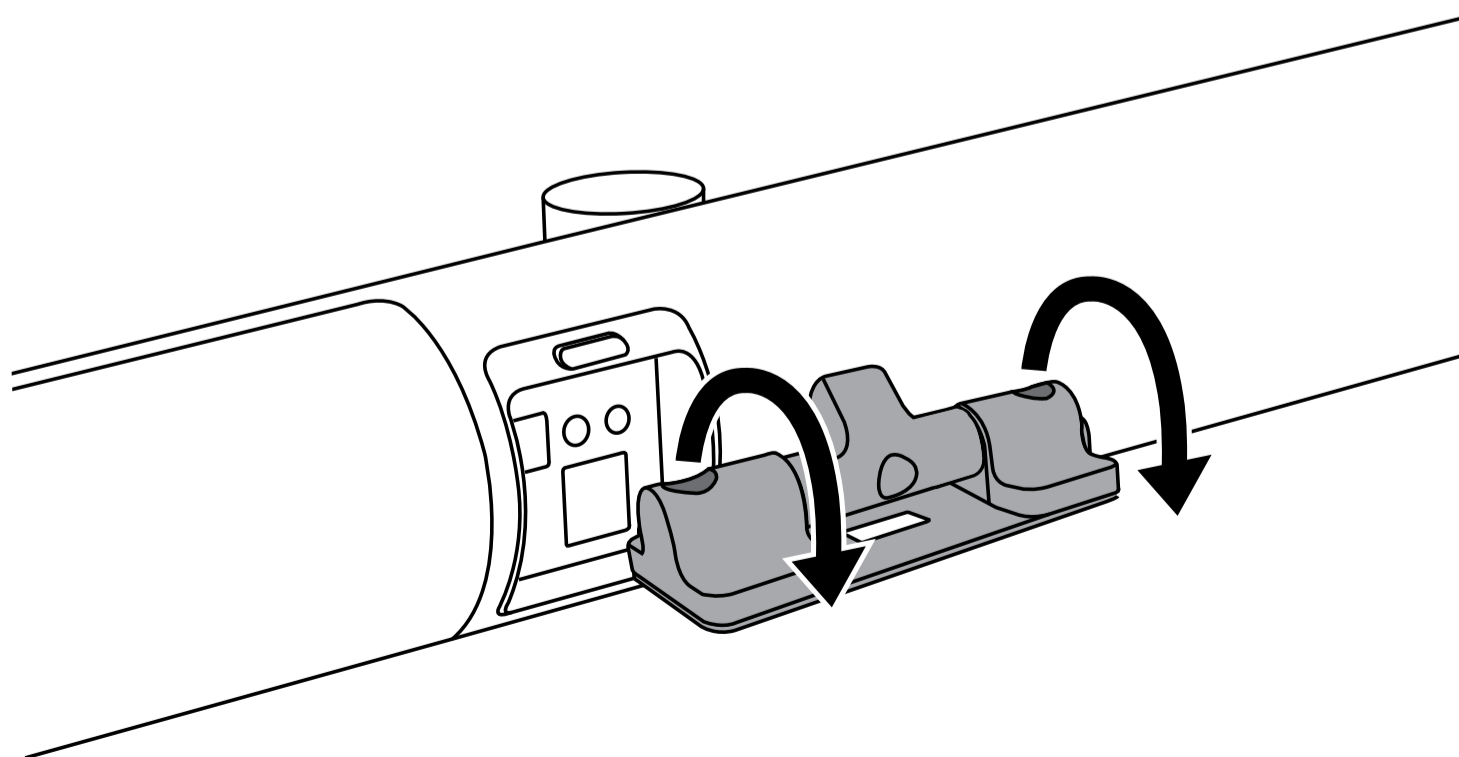
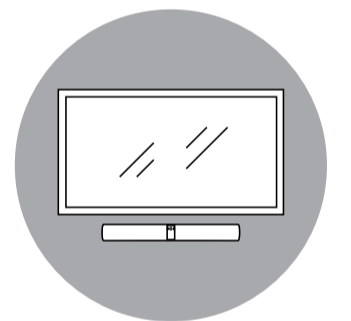
3

Route all relevant cables through the Wall Mount and to the right.



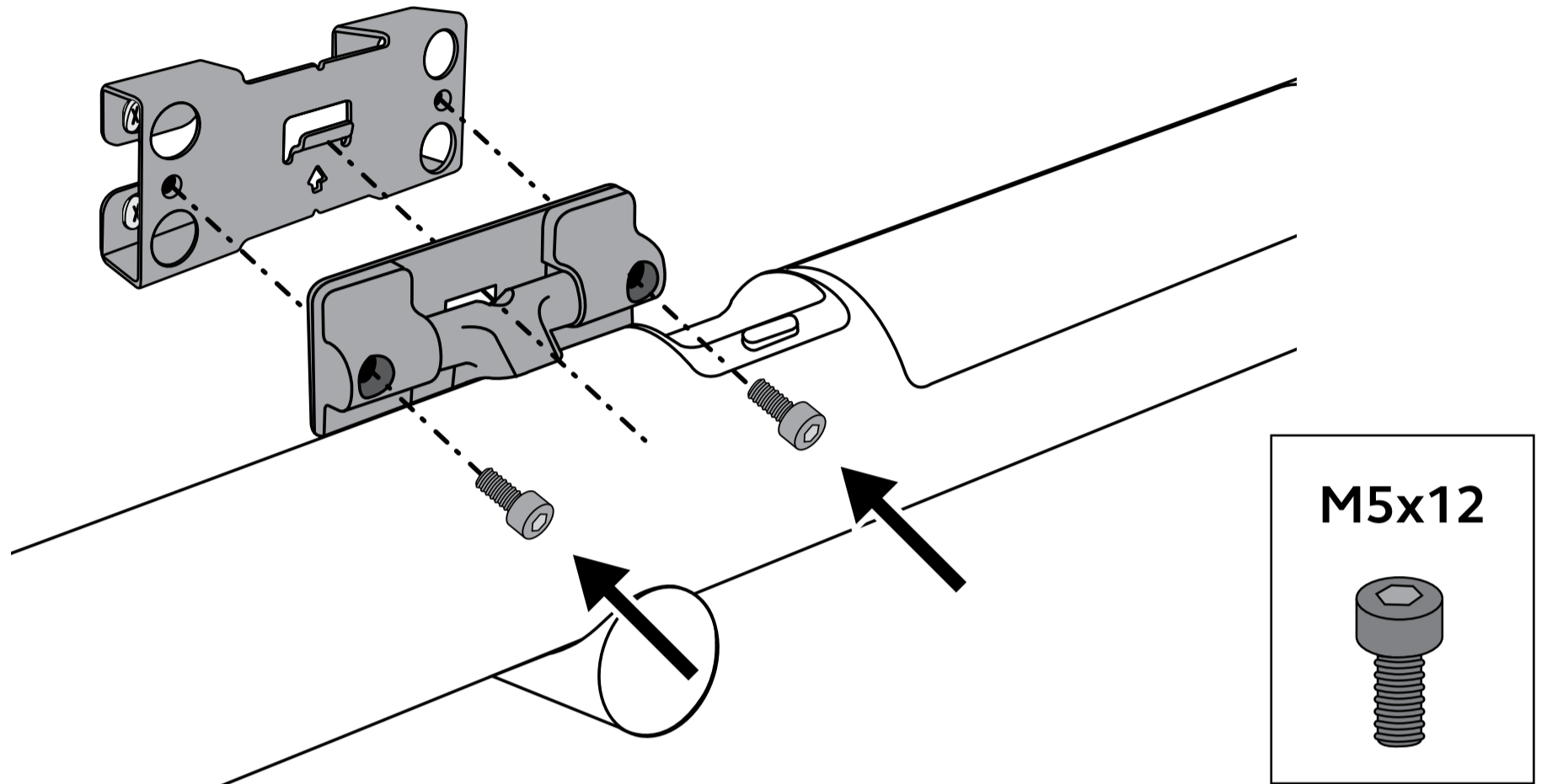
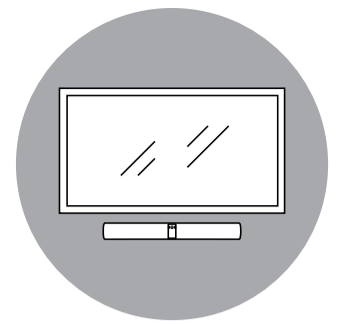
4

Tilt the hinge on the PanaCast 50 for easy access to the screw holes.



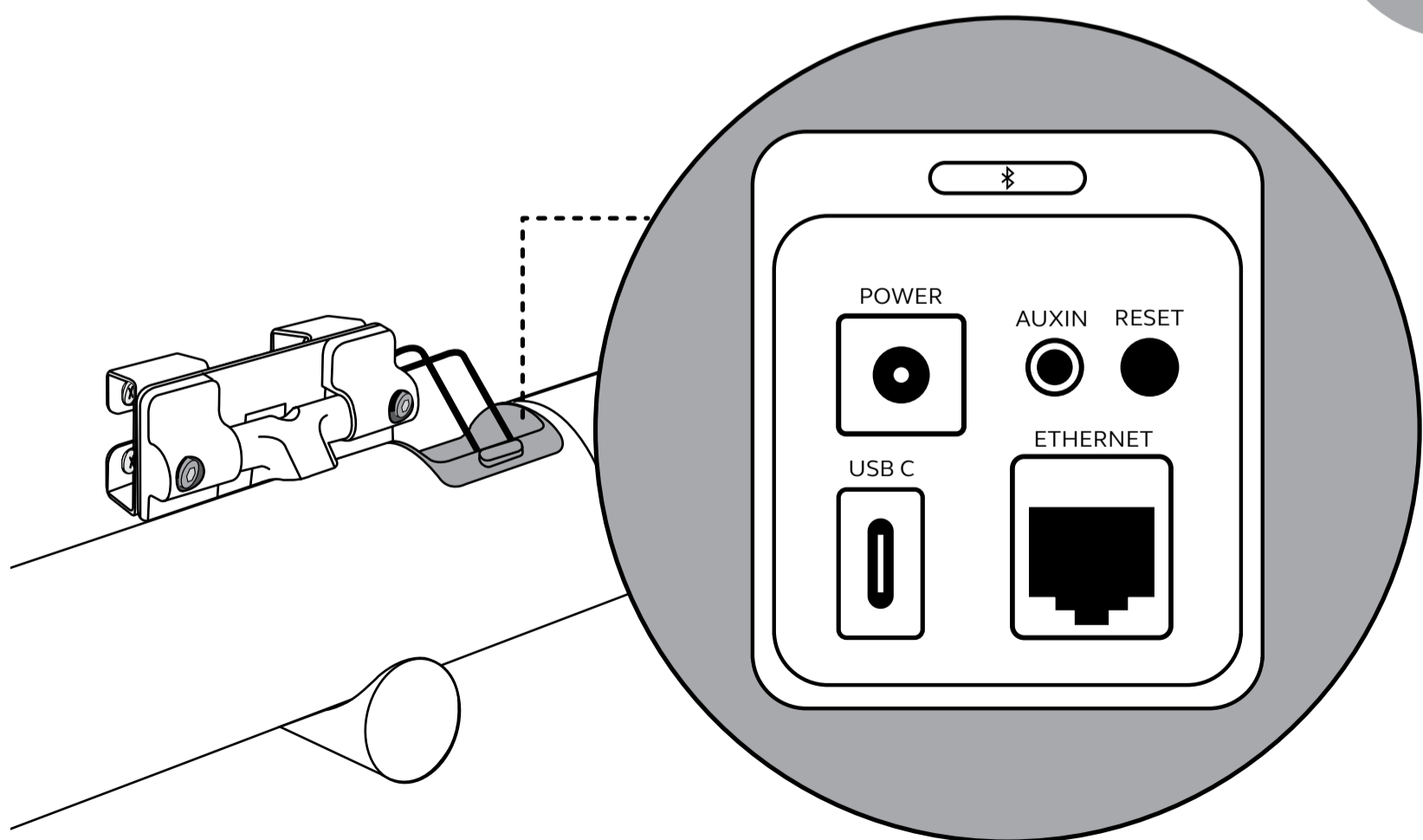
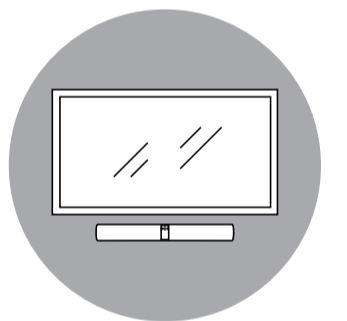
5

Mount and screw the PanaCast 50 to the Wall Mount using the supplied **M5x12 screws** and a **4mm hex key**.



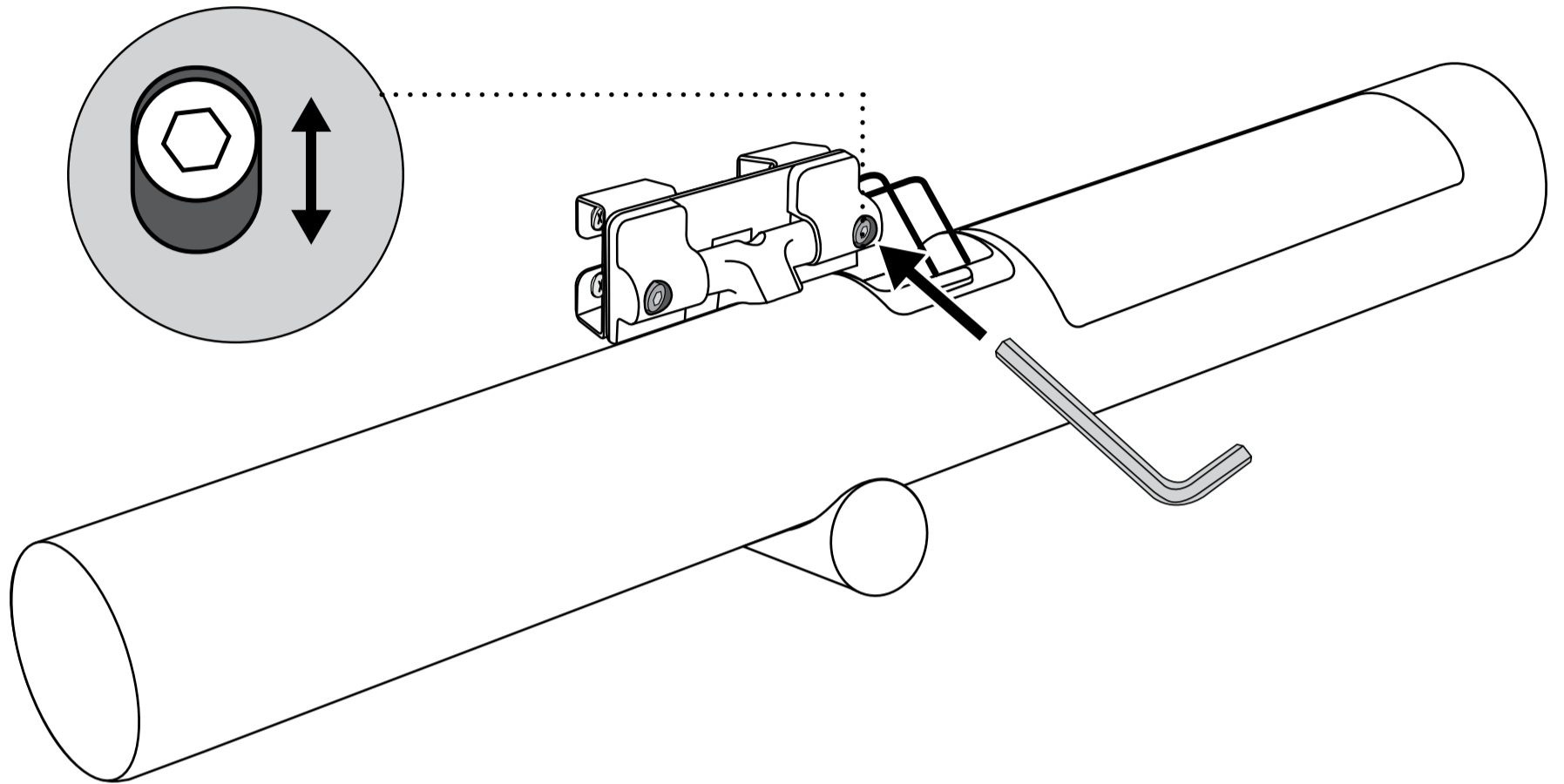
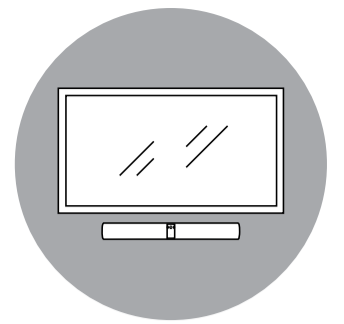
6

Attach the relevant cables to the PanaCast 50.



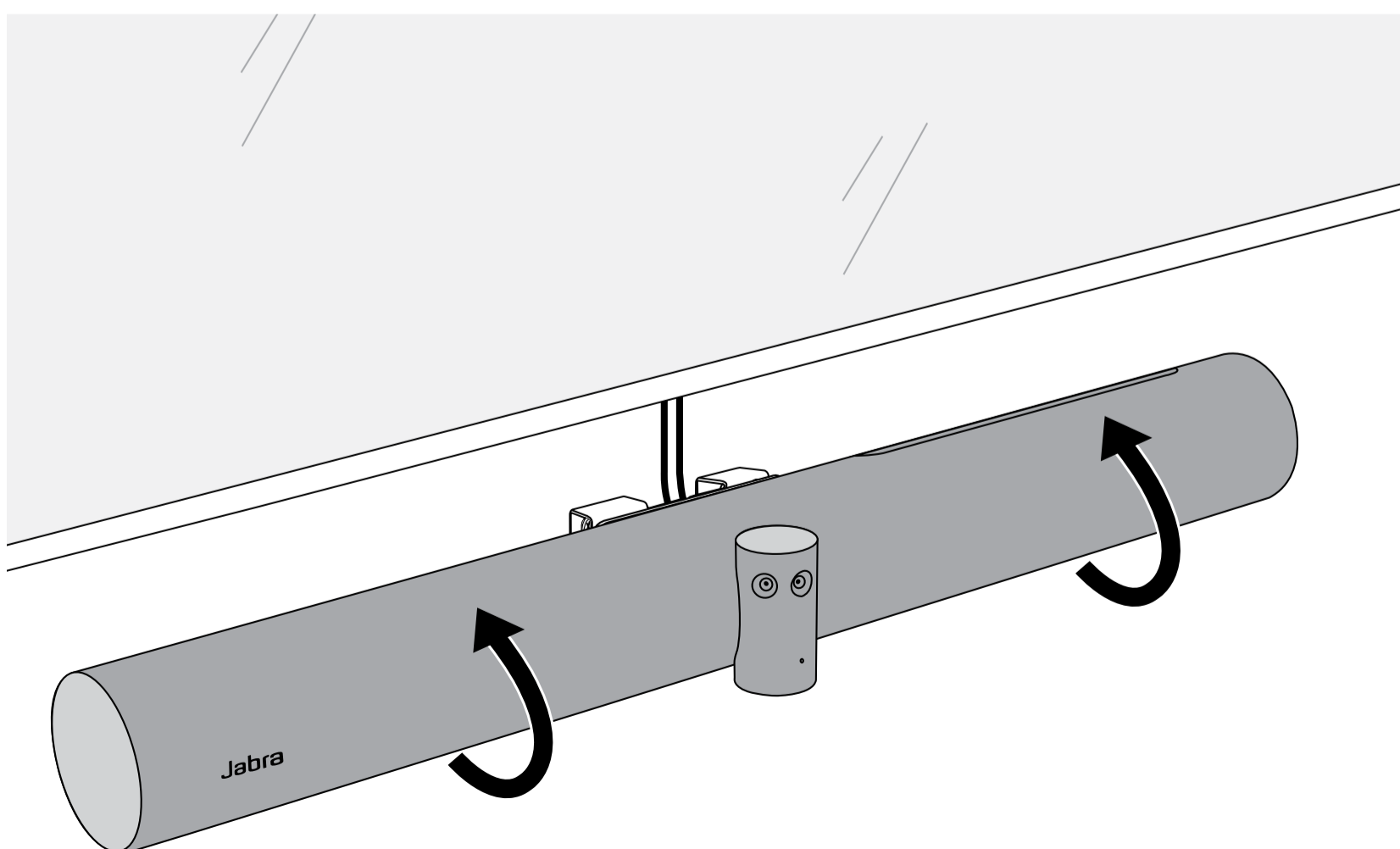
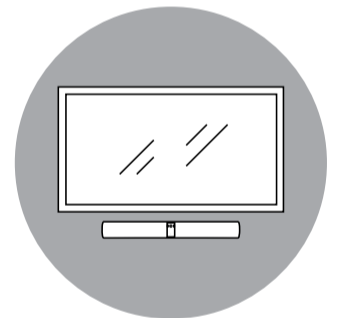
7

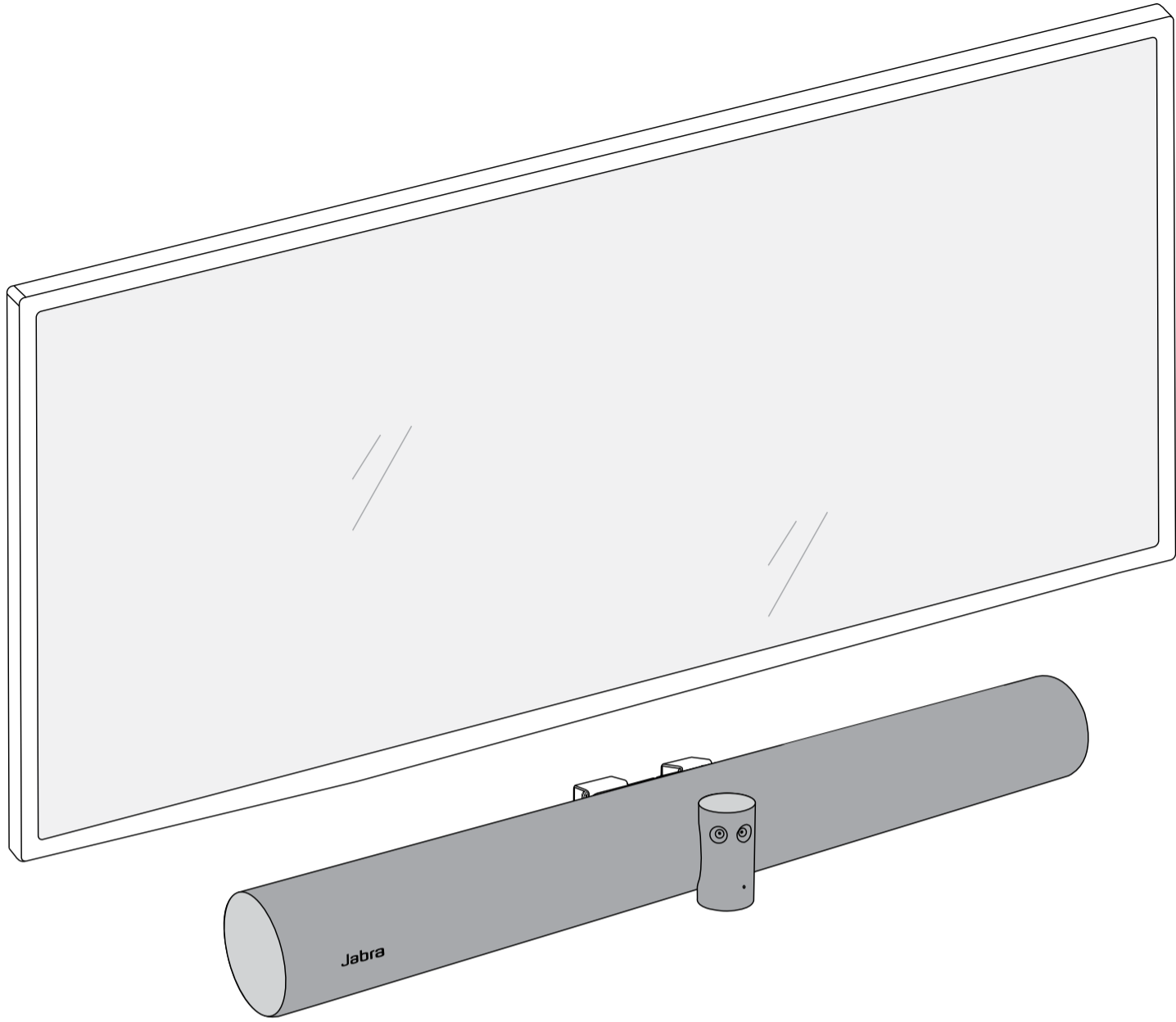
If the PanaCast 50 is not level, adjust the angle by loosening the right screw, levelling and re-tightening the screw.



8

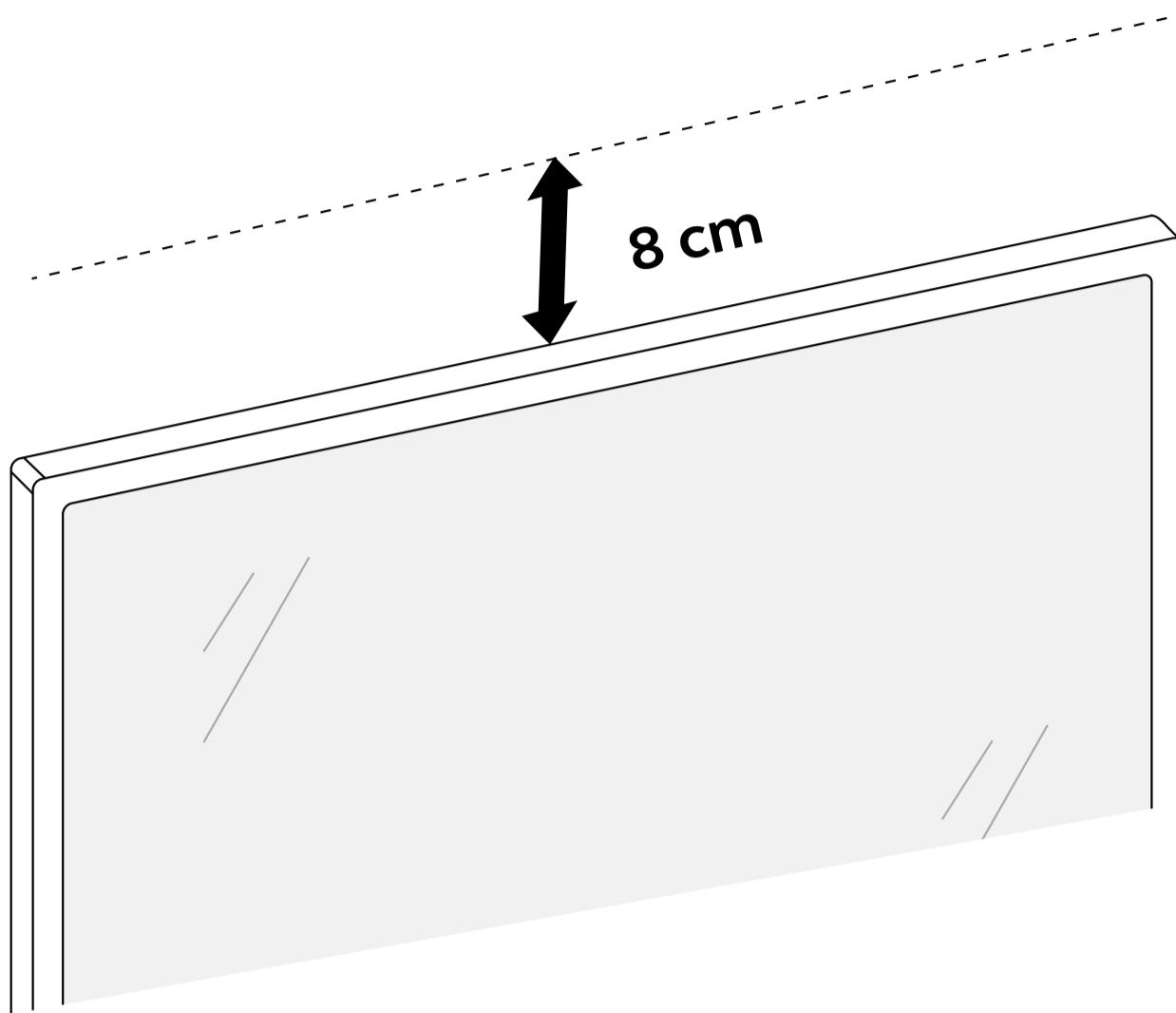
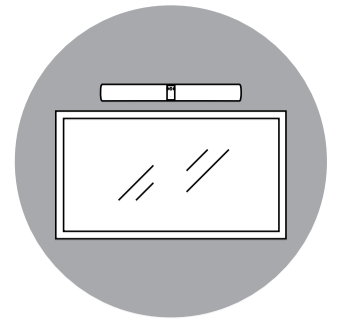
Rotate the PanaCast 50 into its final position and angle the camera to point at eye-level.





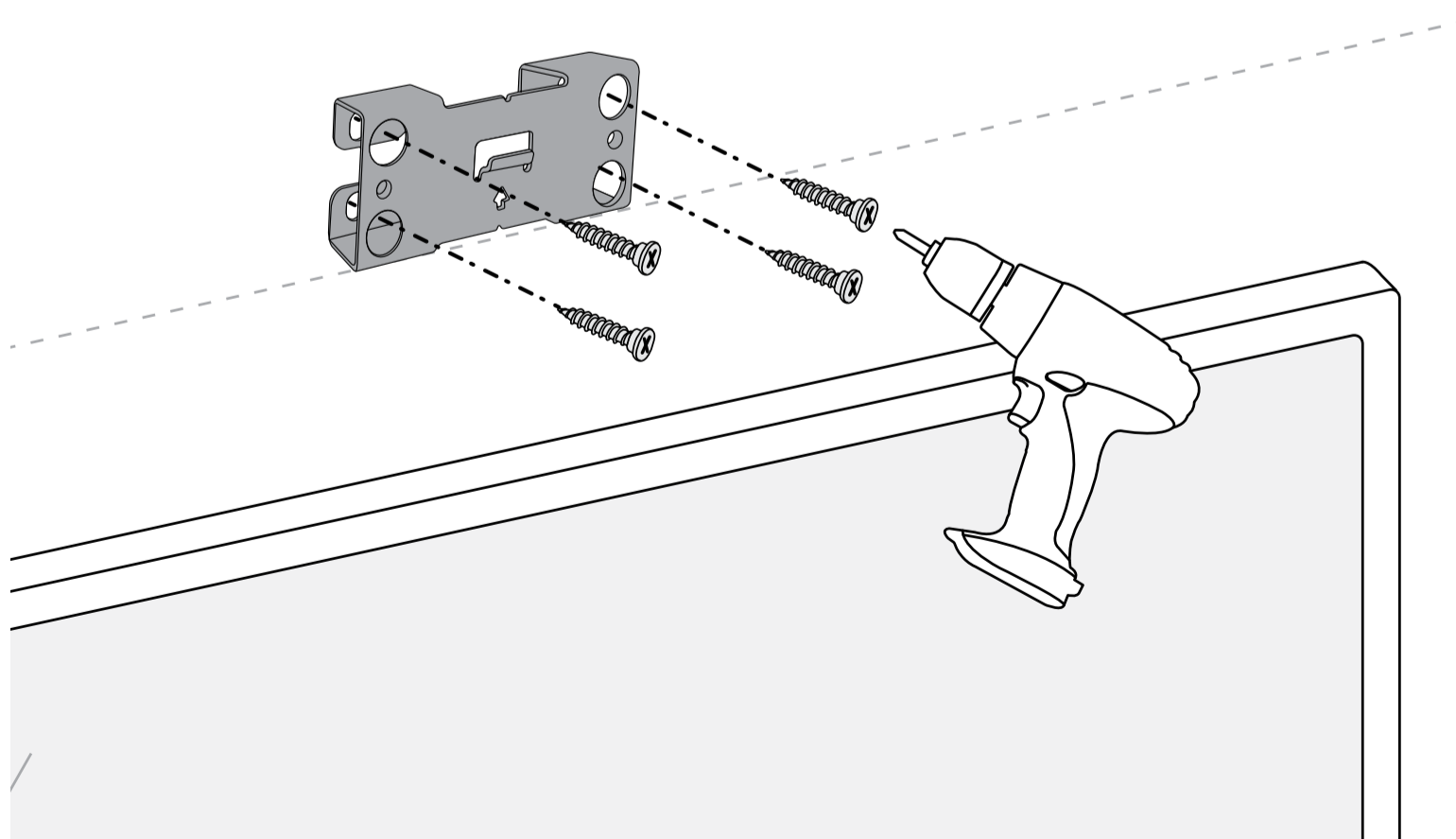
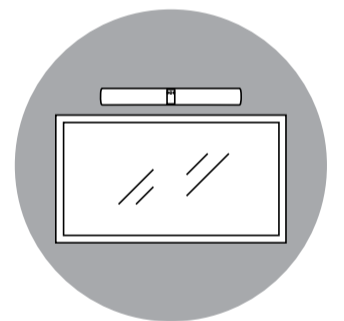
1

Measure **8cm** above the screen for Wall Mount placement. The bottom of the **Wall Mount** will align with the 8cm.



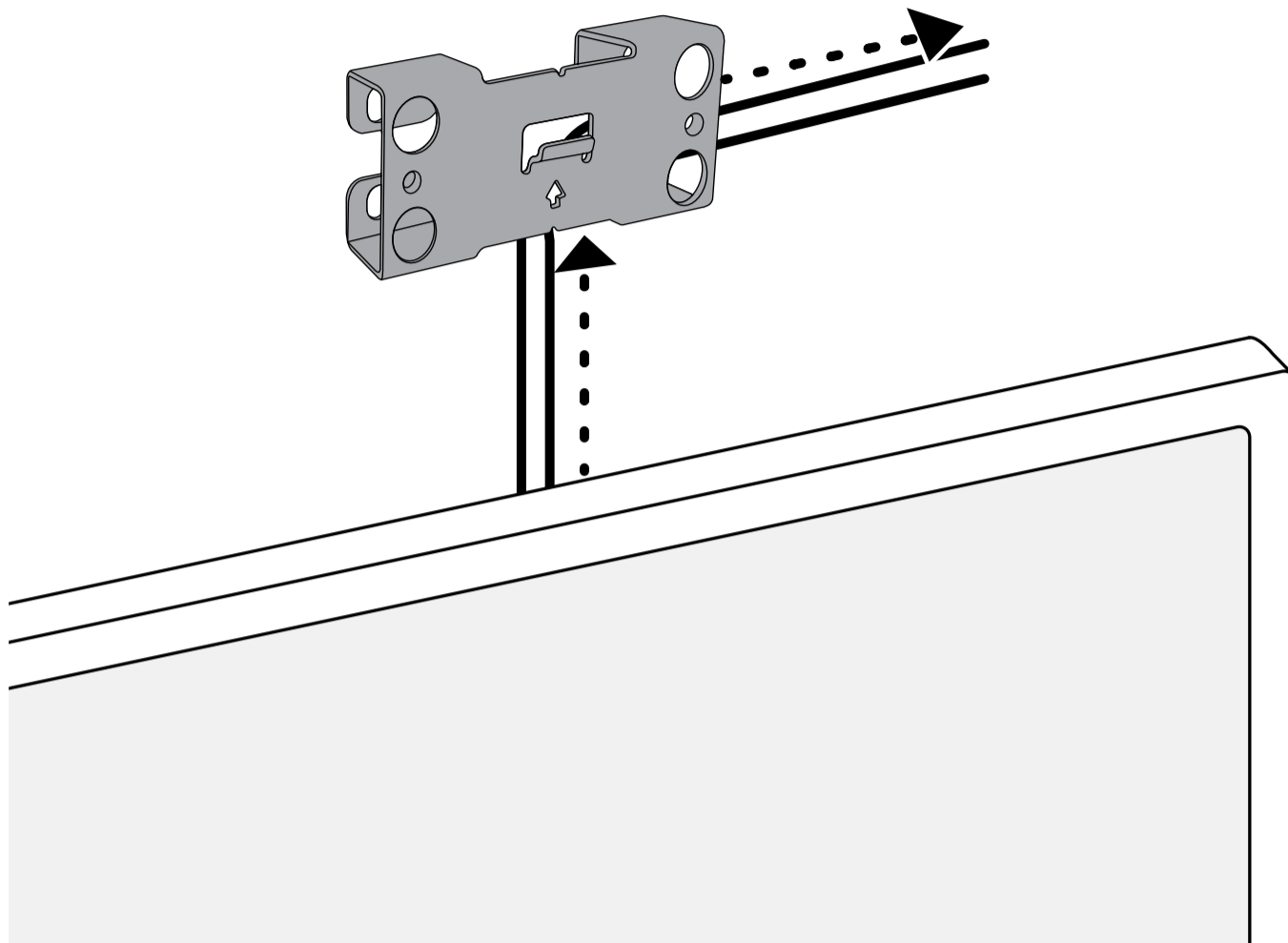
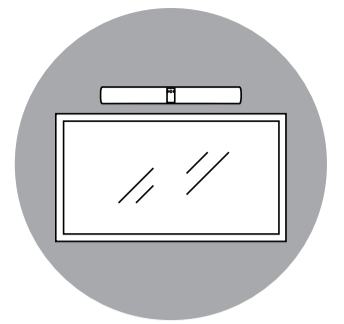
2

Screw the **Wall Mount** to the wall using a drill (screws not supplied).



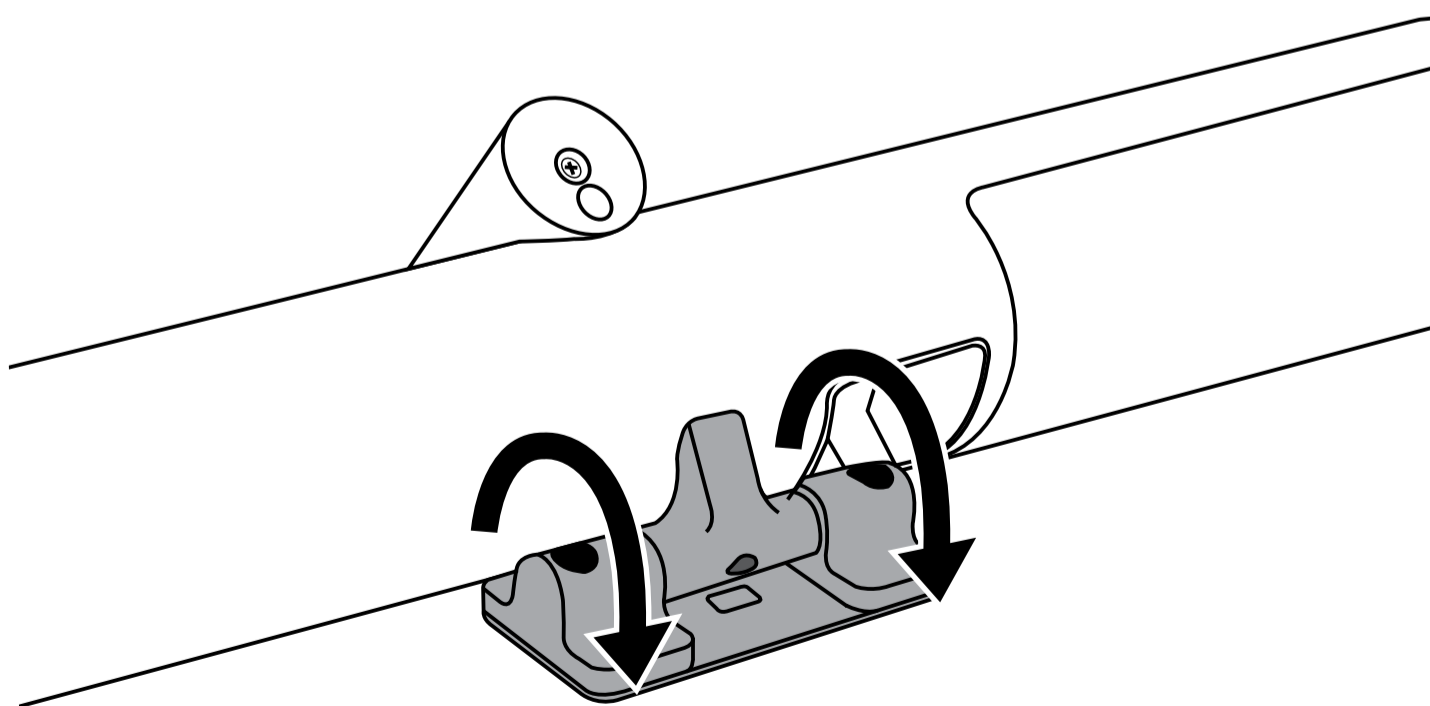
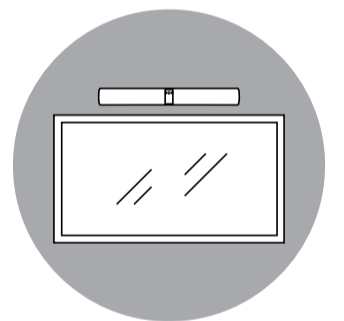
3

Route all relevant cables through the Wall Mount and to the right.



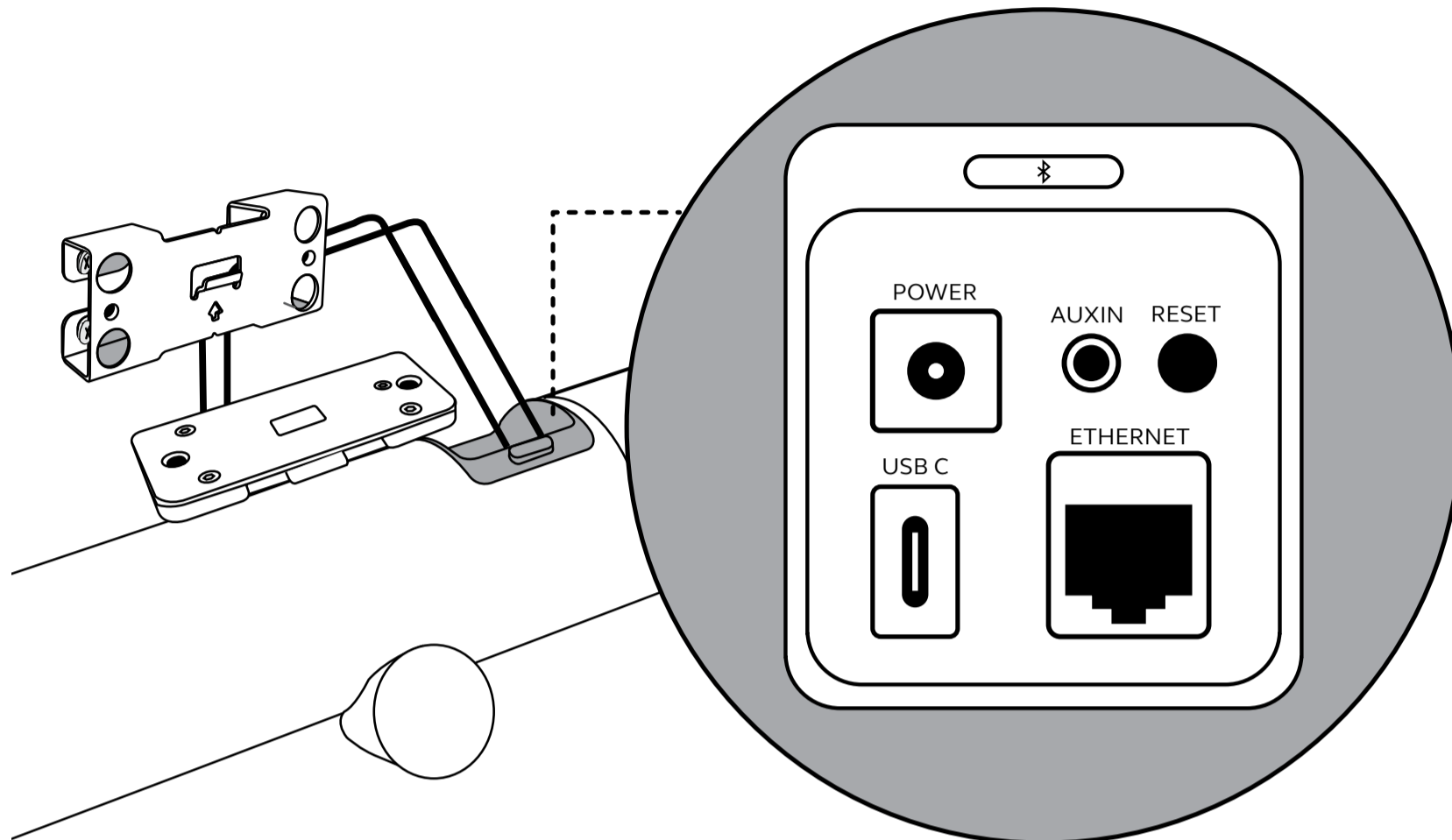
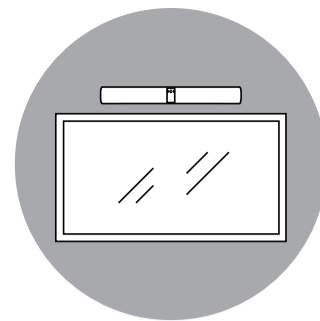
4

Tilt the hinge on the PanaCast 50 for easy access to the screw holes.



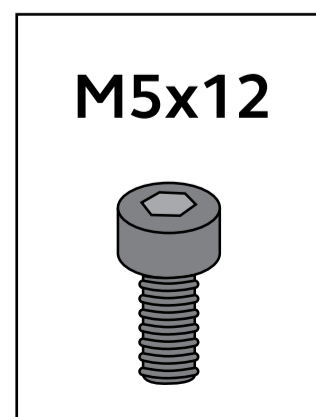
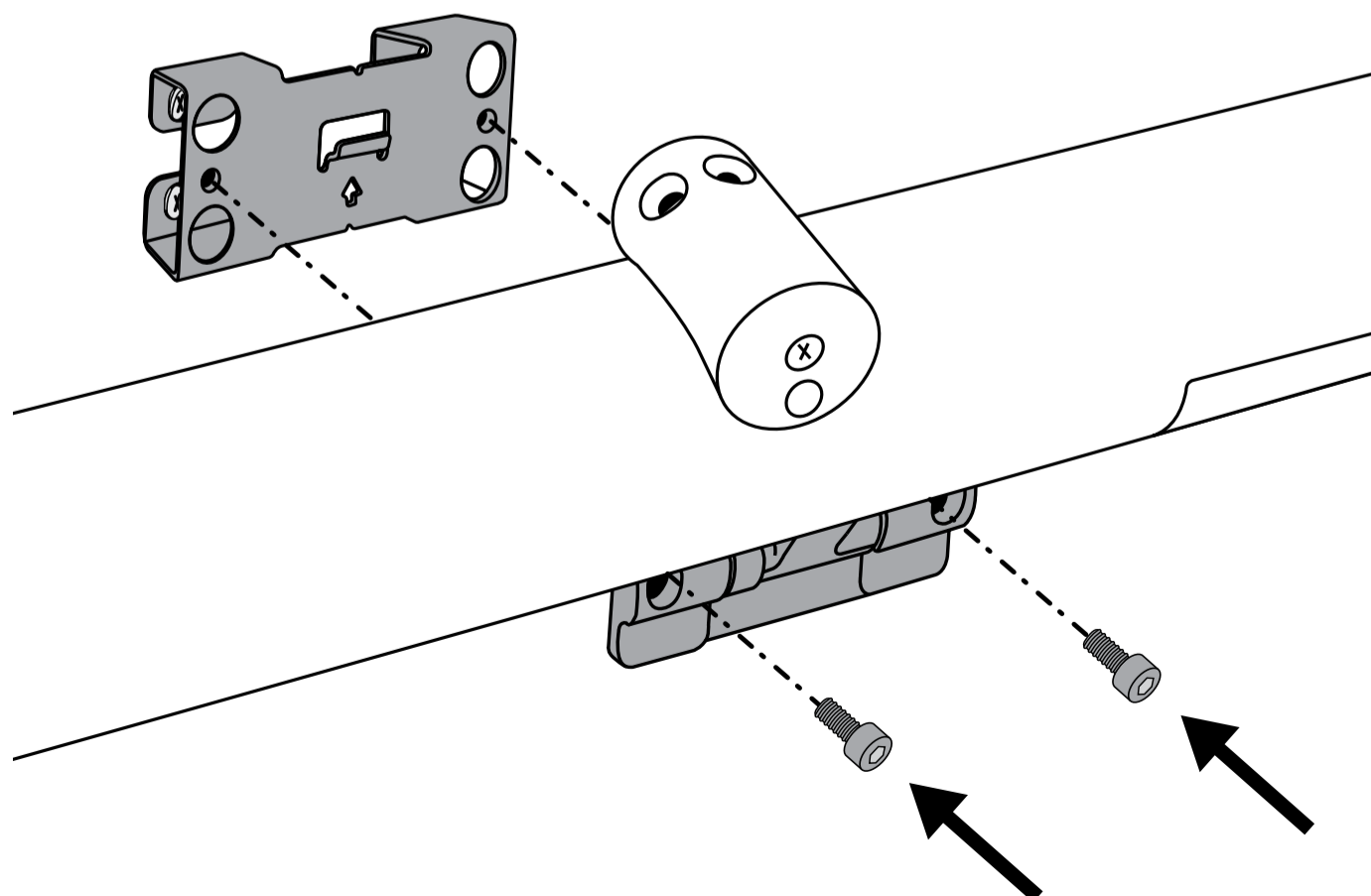
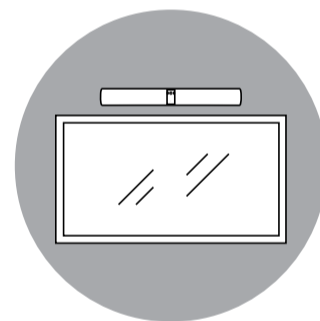
5

Attach the relevant cables to the PanaCast 50 before mounting and screwing to the Wall Mount.



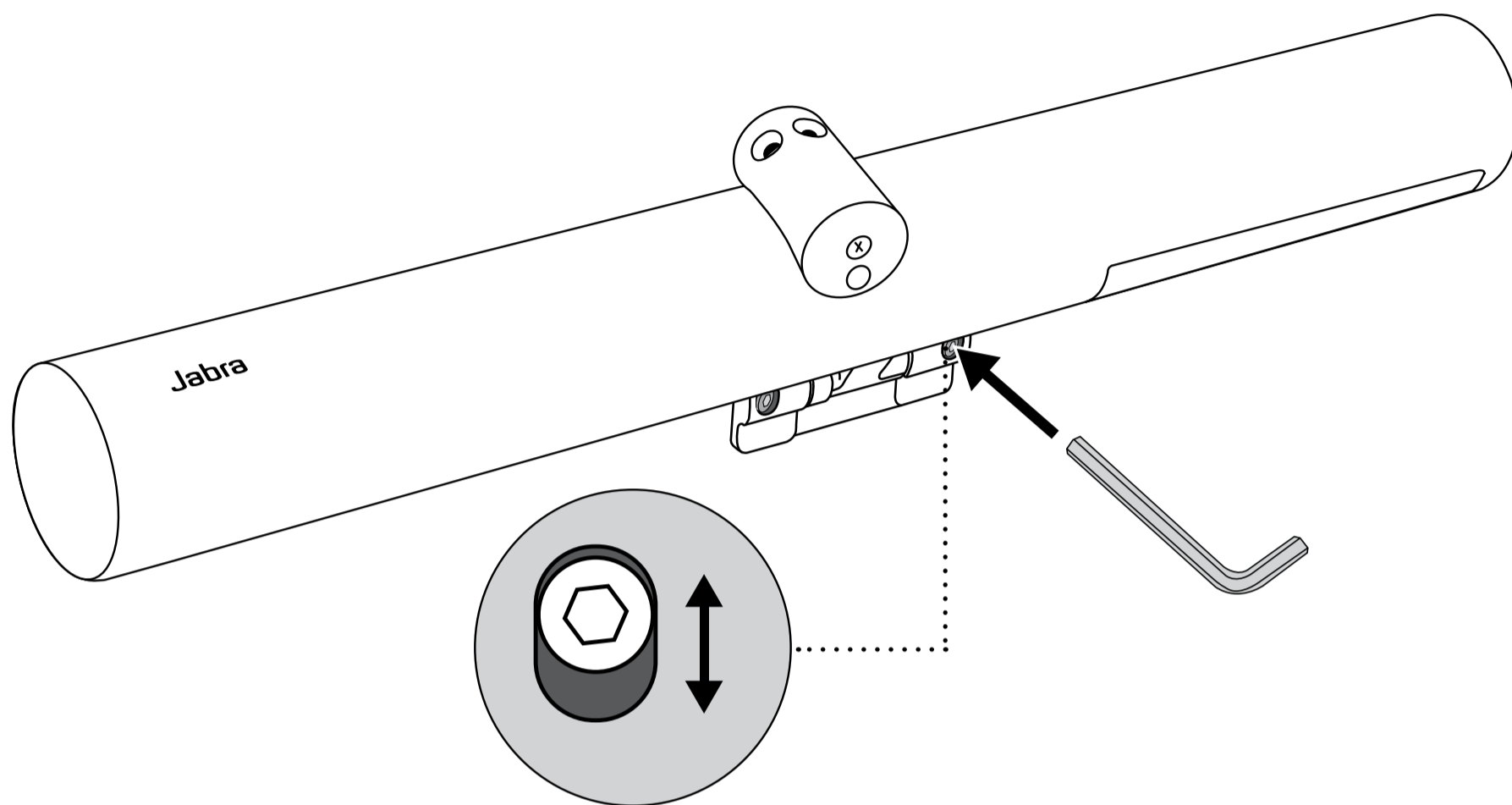
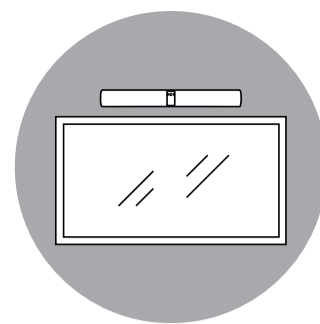
6

Mount and screw the PanaCast 50 to the Wall Mount using the supplied **M5x12 screws** and a **4mm hex key**.



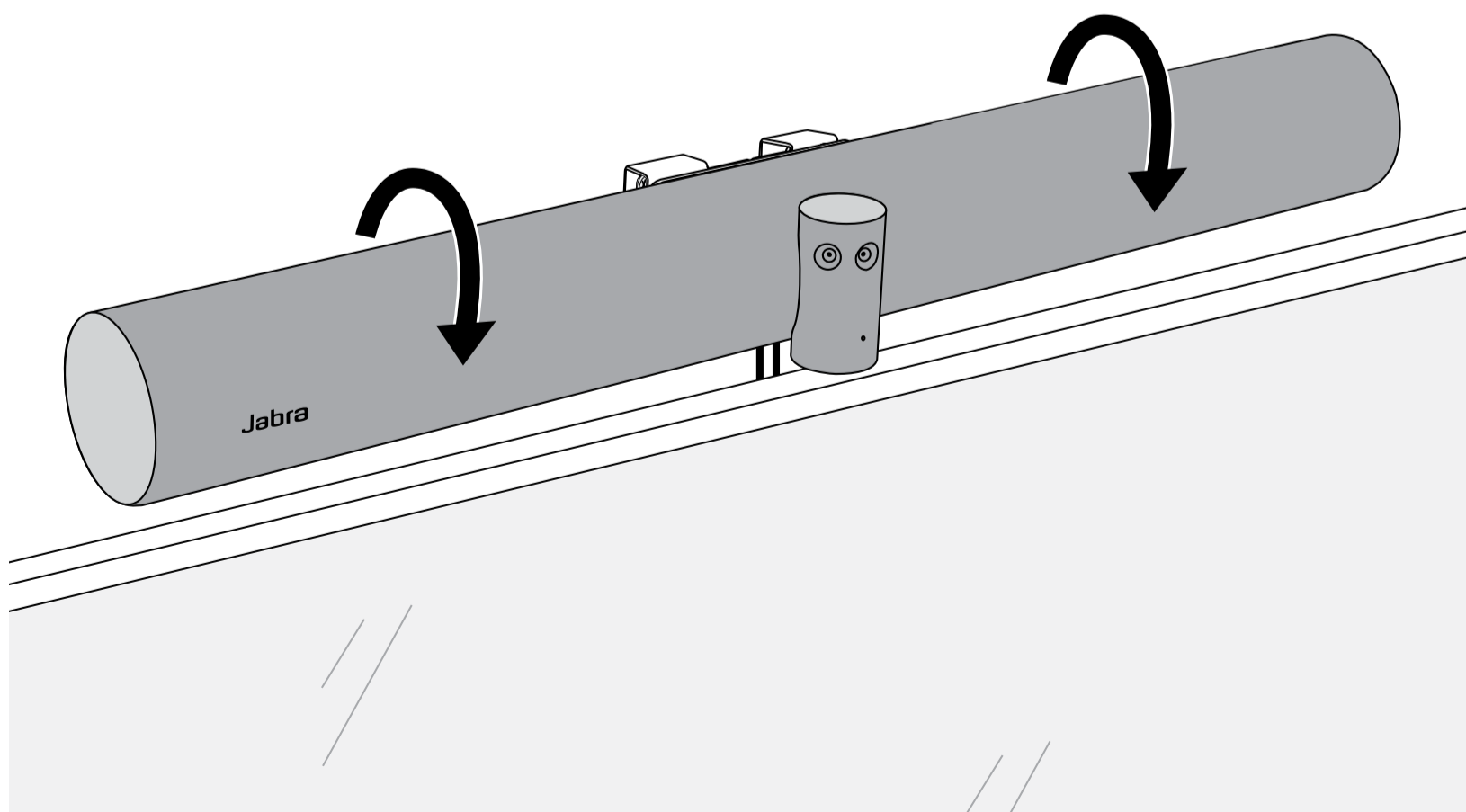
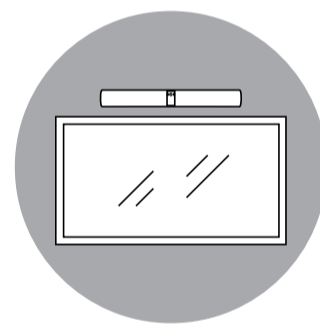
7

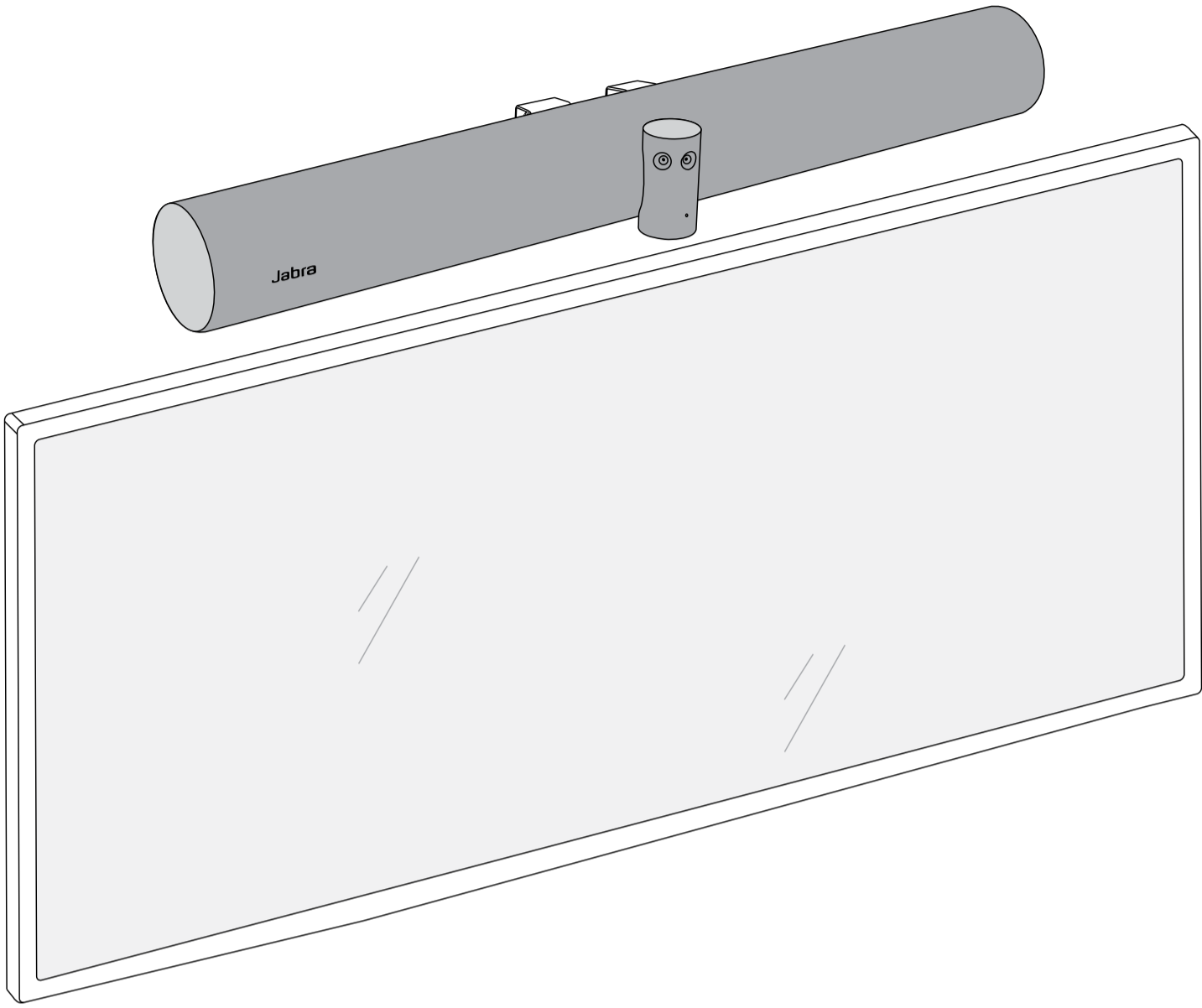
If the PanaCast 50 is not level, adjust the angle by loosening the right screw, levelling and re-tightening the screw.



8

Rotate the PanaCast 50 into its final position and angle the camera to point at eye-level.





PanaCast 50

Table Stand

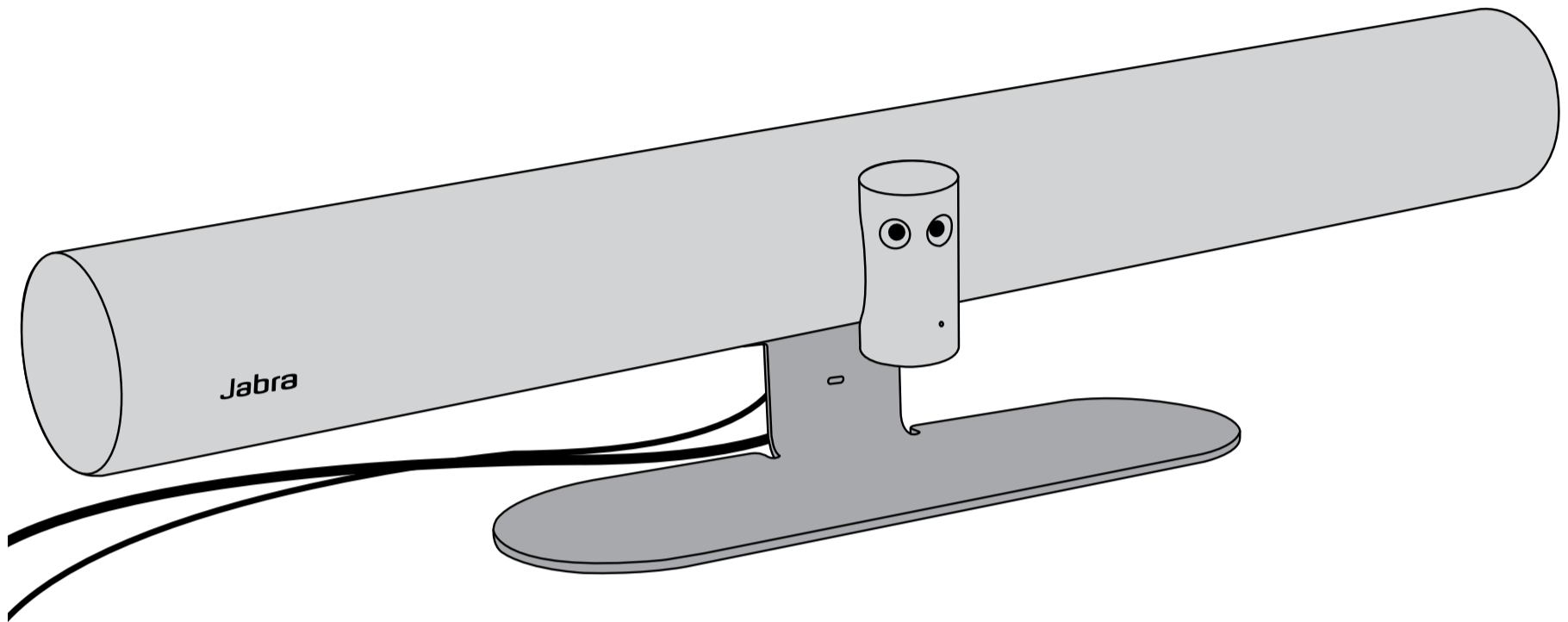
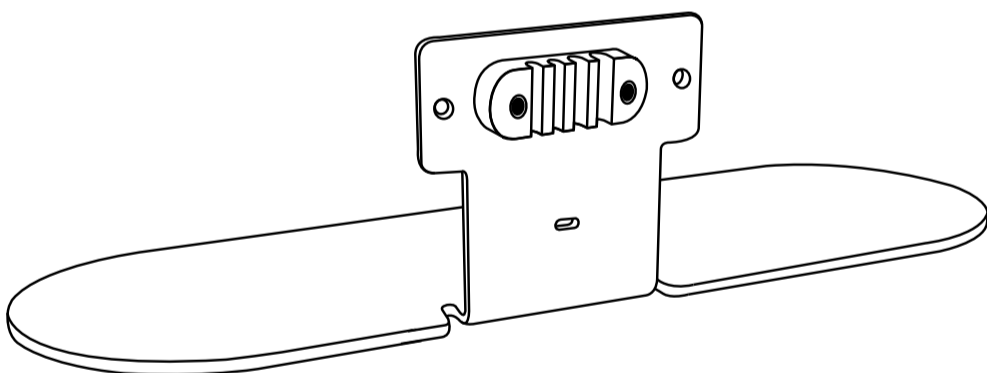


Table Stand and cable organiser



Screws

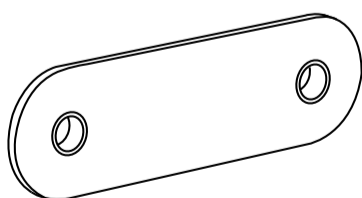


M3x10
(2 pcs)

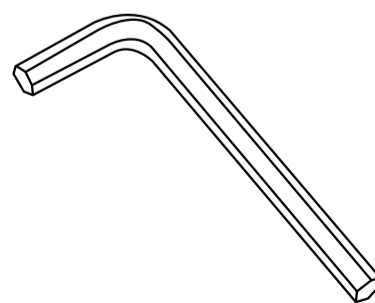


M5x12
(2 pcs)

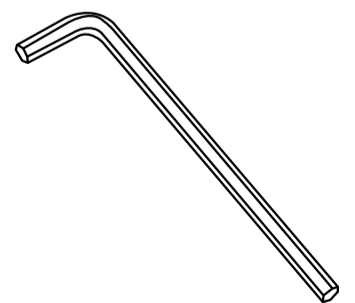
Table Stand cable lid



Hex keys



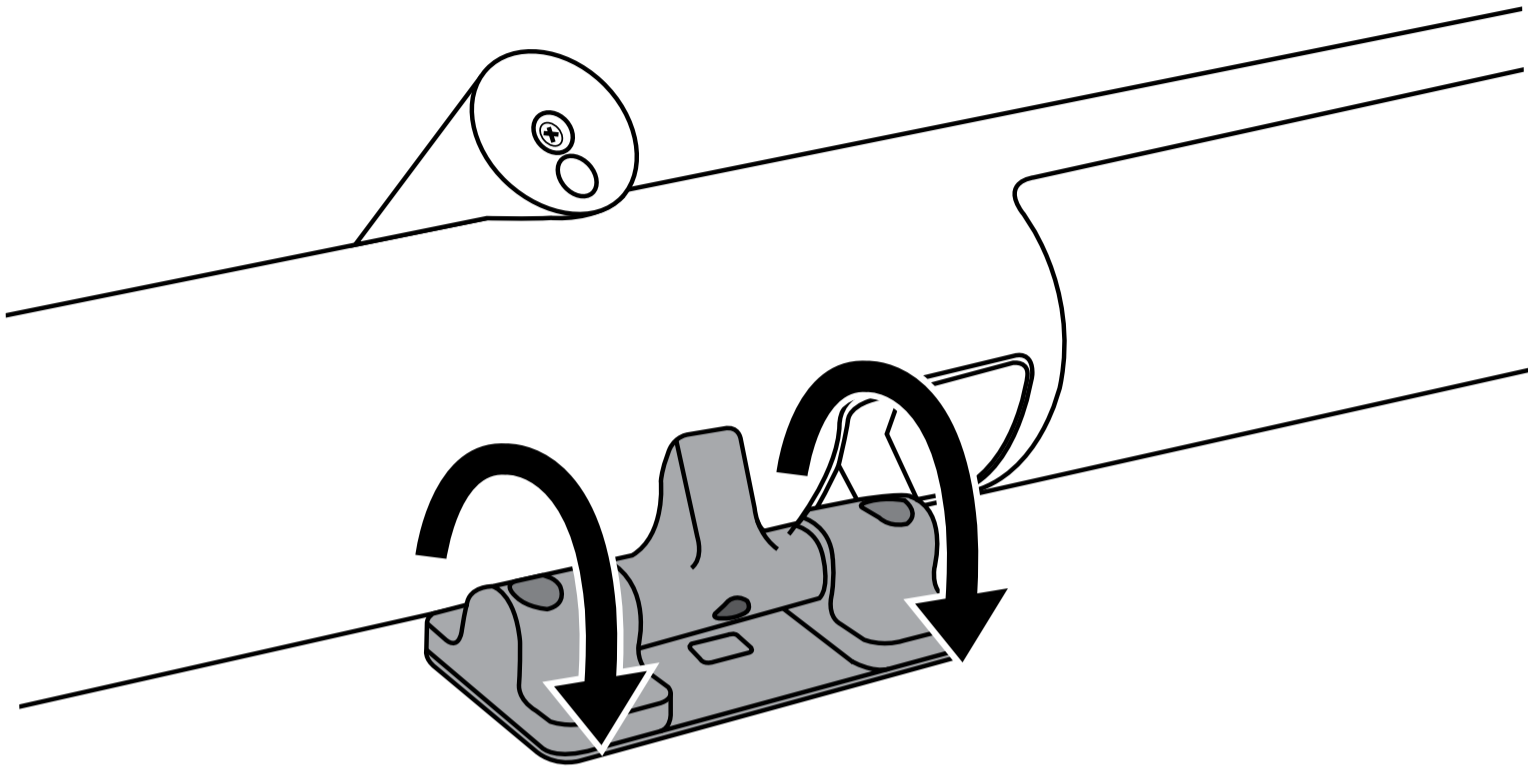
4mm



2.5mm

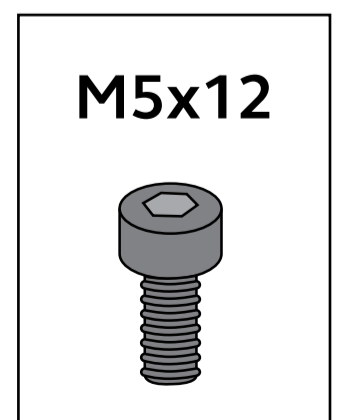
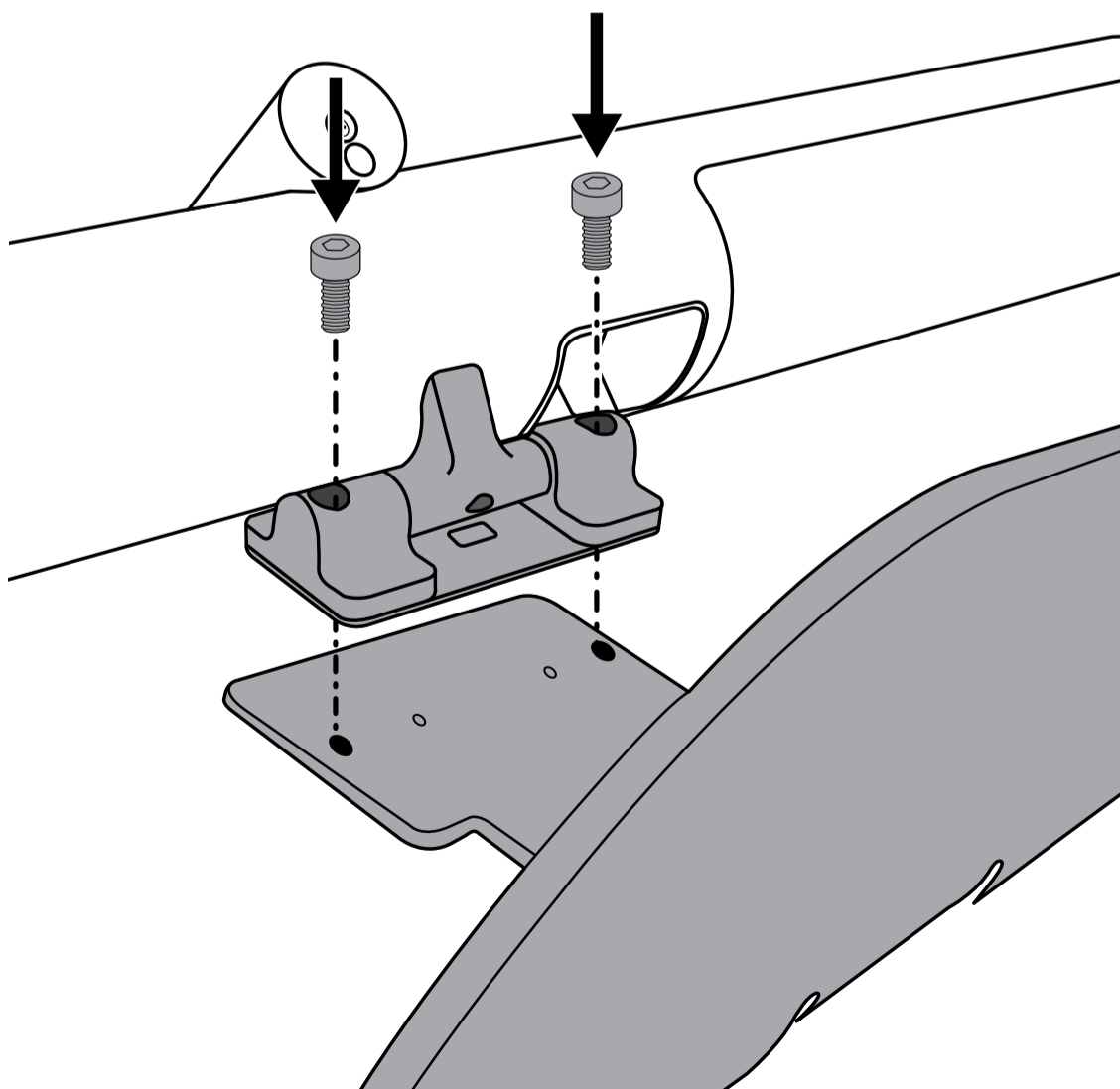
1

Tilt the hinge on the PanaCast 50 for easy access to the screw holes.



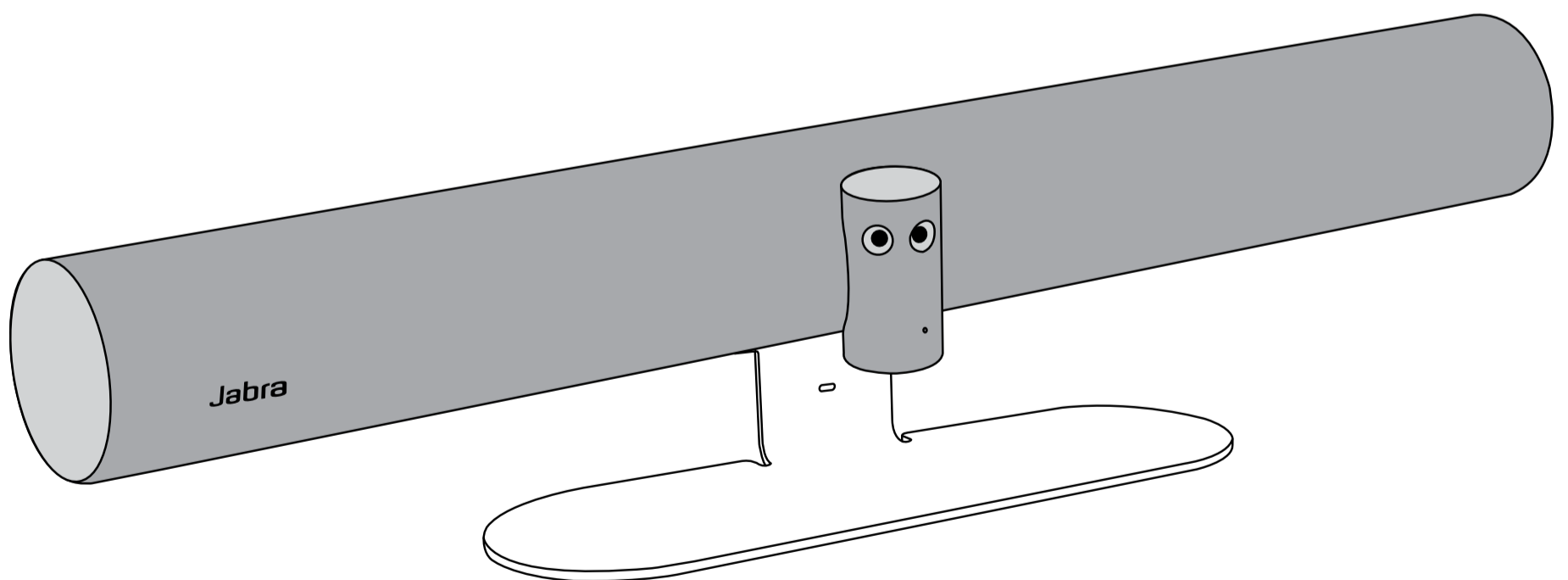
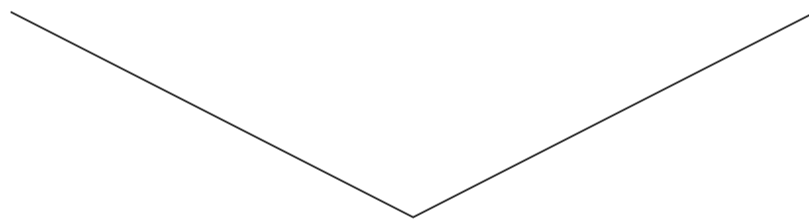
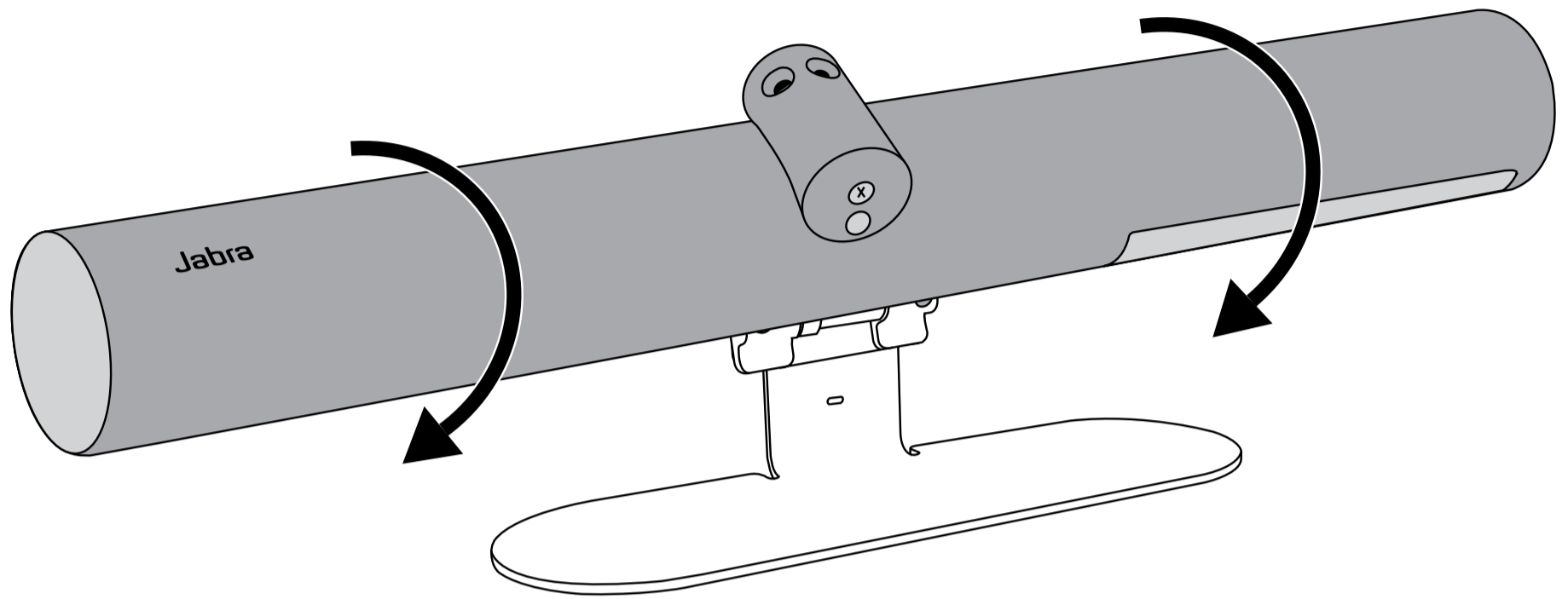
2

Screw the PanaCast 50 to the Table Stand using the supplied **M5x12 screws** and a **4mm hex key**.



3

Rotate the PanaCast 50 into its final position and ensure it is angled to the eye-level of meeting room participants.



4

Use the cable organiser to keep the cables neat and tidy. The thickest cables should be positioned on the right.

